

BASIC INFORMATION ABOUT THE PRODUCT

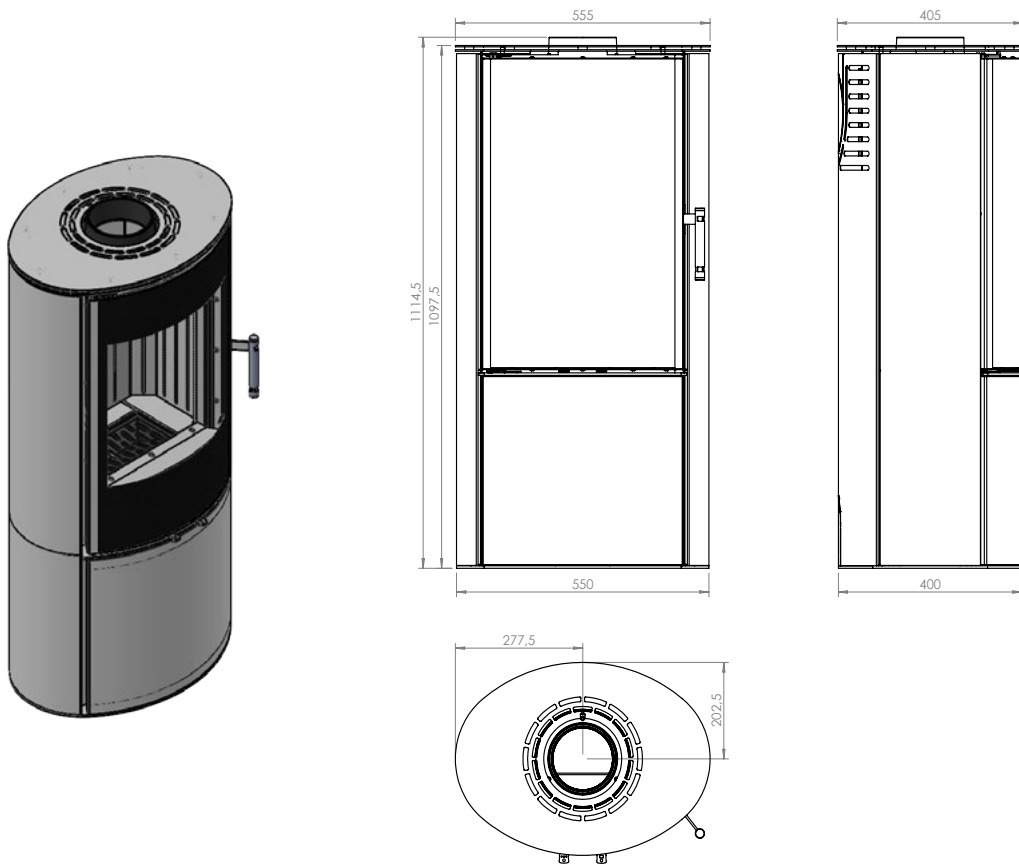


- Designer elliptical shape.
- Designed for recuperation.
- Adapted to the DGP system.
- High thermal efficiency.
- Fireplace glass withstands up to 800°C.
- Polished on both sides, transparent fireplace ceramics.
- Accumulatory lining that increases the temperature of combustion processes.
- Three-stage combustion air system.
- The use of P265GH boiler sheet in the body structure.
- High-temperature, anti-corrosion paint coating.
- Possibility to choose from several versions of the base.
- Wood compartment or storage compartment with click system

Moc nominalna [kW]	5,3
Zakres obciążenia grzewczego [kW]	2,6-7
Sprawność cieplna [%]	80,6
Emisja CO (przy 13% O ₂) [g/m ³]	0,032
Emisja pyłków [g/m ³]	0,952
Średnie zużycie paliwa [kg/h]	1,7
Wymiary szyby [mm]	461 x 648
Średnica czopucha [mm]	146
Średnica dolotu [mm]	100
Waga [kg]	117
Współczynnik efektywności	106,9



ELLISSES



ELLISES