

HAKA 89/45W tunnel

Technical data

Version 2019/08

	operation when directly connected to chimney	
	HAKA 89/45WT(h)	HAKA 89/45WT(h)+
Energy label	A+	A+
Operating data		
Nominal heat power / Power absorbed to water	10 / 5,6 kW	20 / 10,4 kW
Efficiency	> 80 %	> 80 %
Consumption of wood	3 kg/h	6 kg/h
Mass flow of flue gas	9,4 g/s	15,8 g/s
Required chimney pressure	12 Pa	12 Pa
Required amount of combustion air	30 m³/h	55 m³/h
Average flue gas temperature		
on the output	201 °C	232 °C
Heat distribution		
fireplace insert	9 %	10 %
door glass (single / double)	0 / 35 %	0 / 38 %
water	56 %	52 %
Water exchanger specifications		
Maximum working pressure	2,5 bar	2,5 bar
Minimum return water temperature	55 °C	55 °C
Water capacity	47 liter	47 liter
Connection input / output	1 / 1 G	1 / 1 G
Information for builds		
Minimal grill area supply / outgoing (with vent. grill)	250 / 300 cm²	350 / 400 cm²
Minimum radiant area ³ (without vent. grill)	2 m²	3,5 m²
Minimum distance from insulated areas / floor	40 / 0 mm	40 / 0 mm
Reference insulation ¹ ceiling / back wall / side wall / floor	100 / - / 60 / 0 mm	120 / - / 80 / 0 mm
Calciumsilicate insulation ² ceiling / back wall / side wall / floor	75 / - / 45 / 0 mm	90 / - / 60 / 0 mm
General technical information		
Total weight / lining weight	305–420 / 100 kg	
Burning chamber dimensions (width x depth)	810 x 315 mm	
Combustion air connection	Ø 125 mm	Ø 150 mm
Use in non-ventilated accumulation builds according to craft rules	suitable	
Tested according to	EN 13229	
Meets values	1. BlmSchV (Stufe2), 15a BVG	

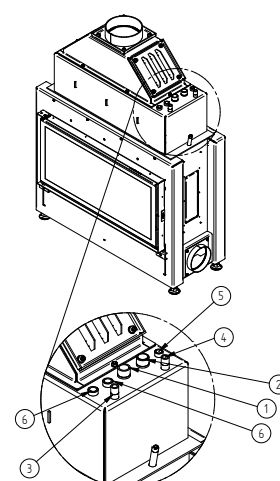
Nr.	Thread size	Description
1	G 1" (AG)	Water supply from heating system - min. 55°C
2	G 1" (AG)	Hot water supply to heating system
3	G 1/2" (AG)	Water supply from the waterlines into the cooling loop
4	G 1/2" (AG)	Discharge of water from the cooling loop into the waste
5	G 3/8" (IG)	Pocket for air vent valve
6	G 1/2" (IG)	Pocket for thermal sensors

1 Mineral wool according to AGI-Q 132

2 Example SkamoEnclosure Board 225 kg/m³

3 Depends on accumulation period and material characteristics.

Listed values calculated with chamotte stone thickness 30 mm with radiant area 500 W/m²



HOXTER GmbH | Hersbrucker Straße 23 | 91244 Reichenschwand | Germany | +49 (0)9151 8659 163 | info@hoxter.de

HOXTER a.s. | Jinacovice 512 | 664 34 Jinacovice | Czech republic | +420 518 777 701 | info@hoxter.eu

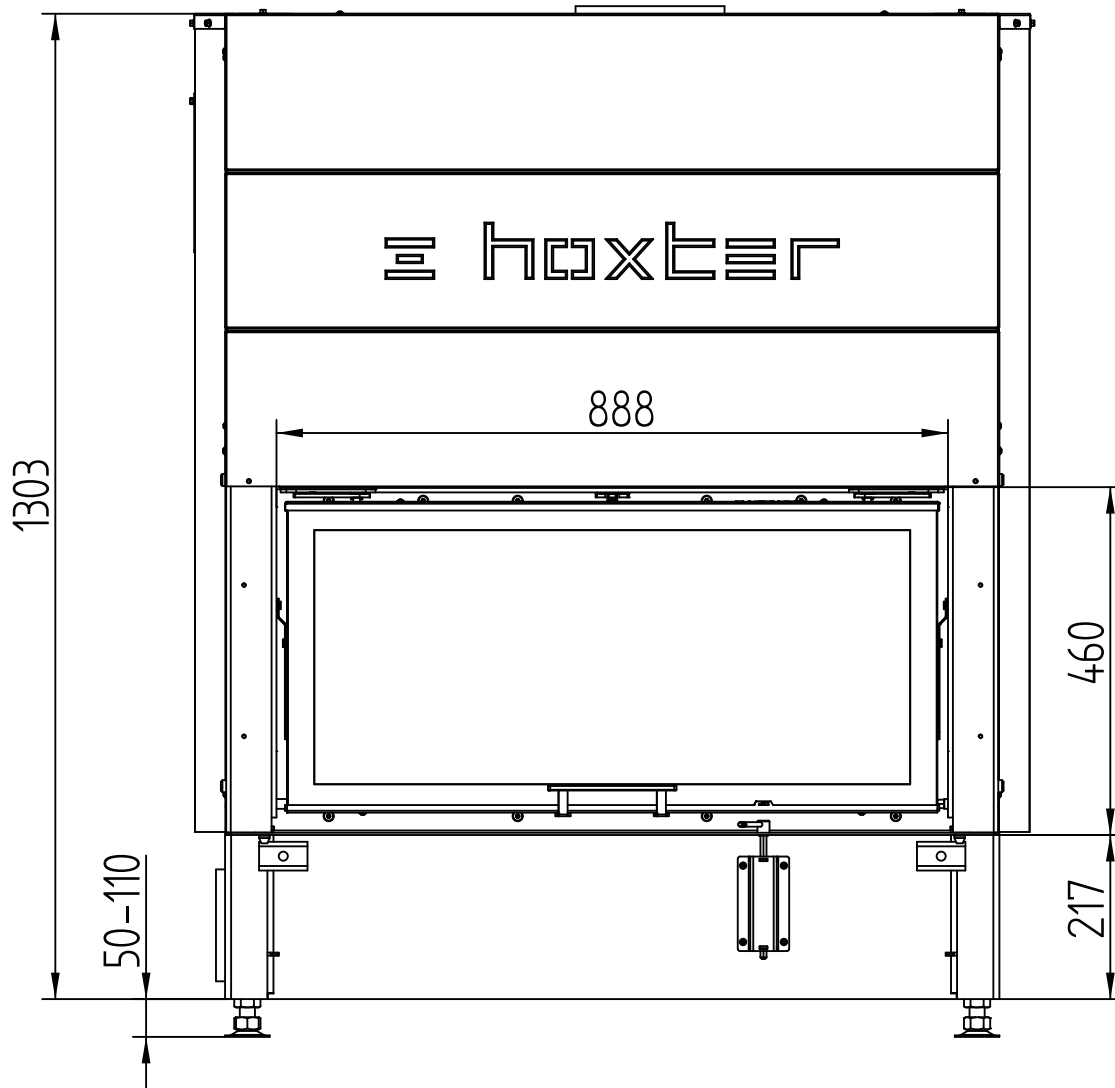
hoxter

HAKA 89/45W tunnel

Technical data
Version 2019/08

HAKA 89/45W, HAKA 89/45W+ execution liftdoor / liftdoor

M 1:10

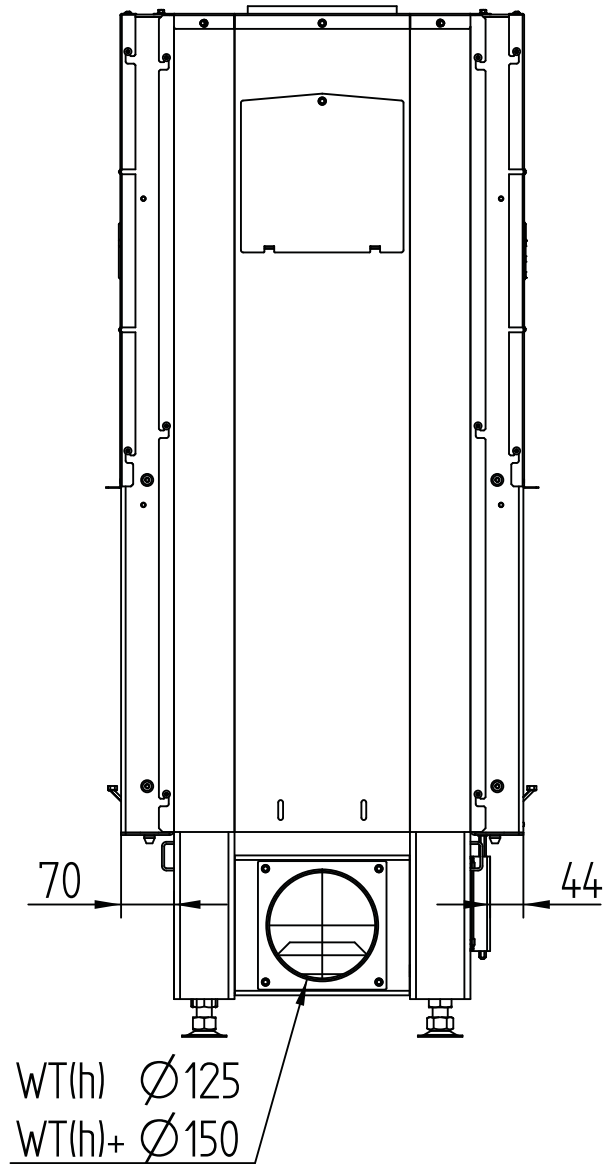


HAKA 89/45W tunnel

Technical data
Version 2019/08

HAKA 89/45W, HAKA 89/45W+ execution liftdoor / liftdoor

M 1:10

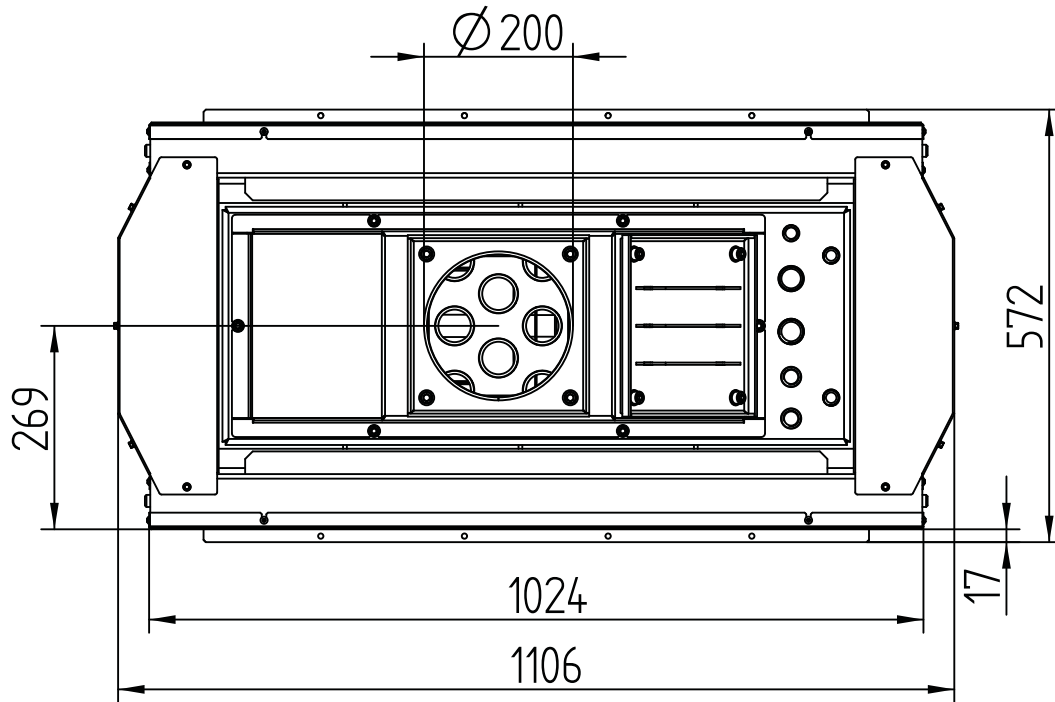


HAKA 89/45W tunnel

Technical data
Version 2019/08

HAKA 89/45W, HAKA 89/45W+ execution liftdoor / liftdoor

M 1:10

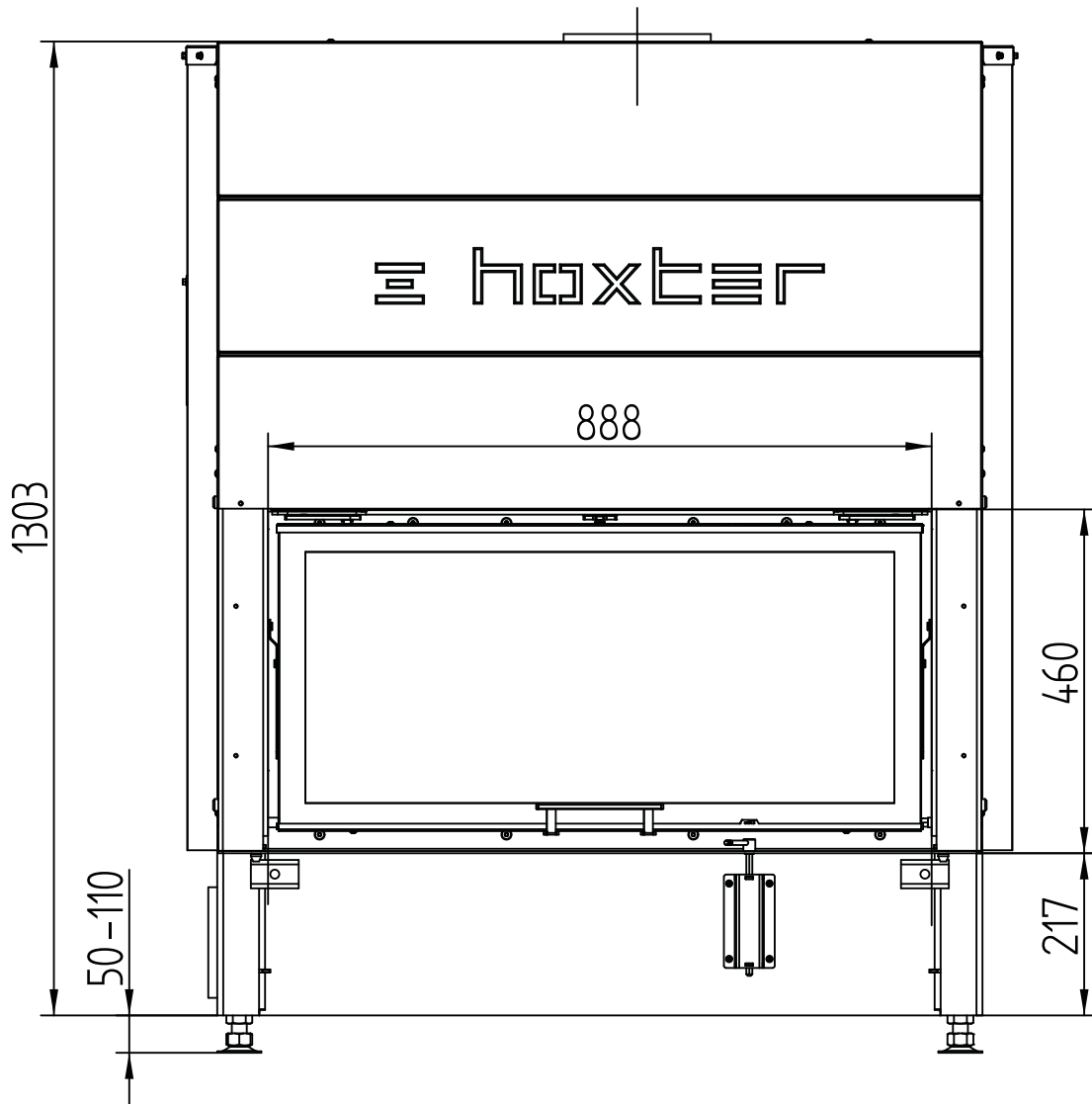


HAKA 89/45W tunnel

Technical data
Version 2019/08

HAKA 89/45W, HAKA 89/45W+ execution liftdoor / liftdoor

M 1:10

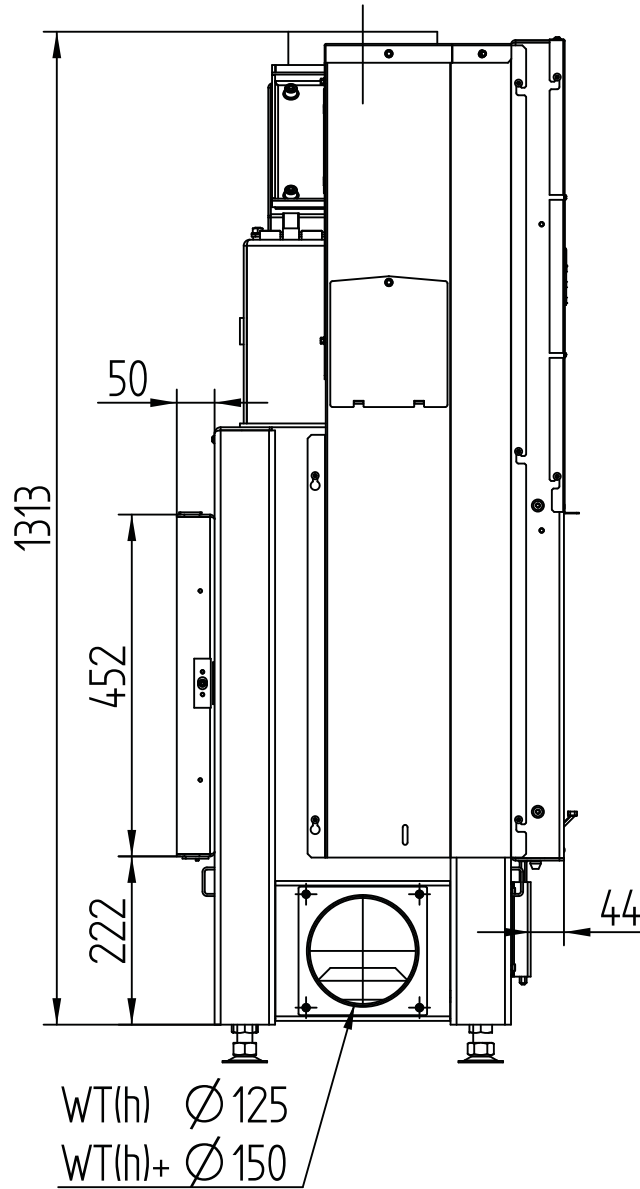


HAKA 89/45W tunnel

Technical data
Version 2019/08

HAKA 89/45W, HAKA 89/45W+ execution liftdoor / liftdoor

M 1:10

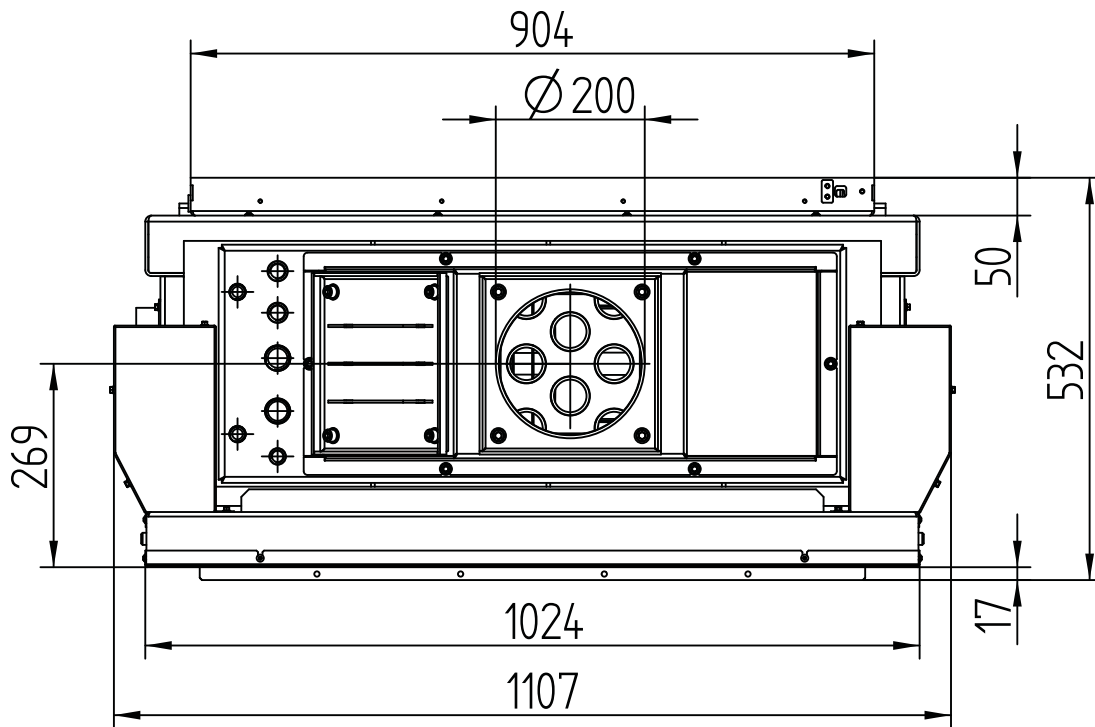


HAKA 89/45W tunnel

Technical data
Version 2019/08

HAKA 89/45W, HAKA 89/45W+ execution liftdoor / liftdoor

M 1:10

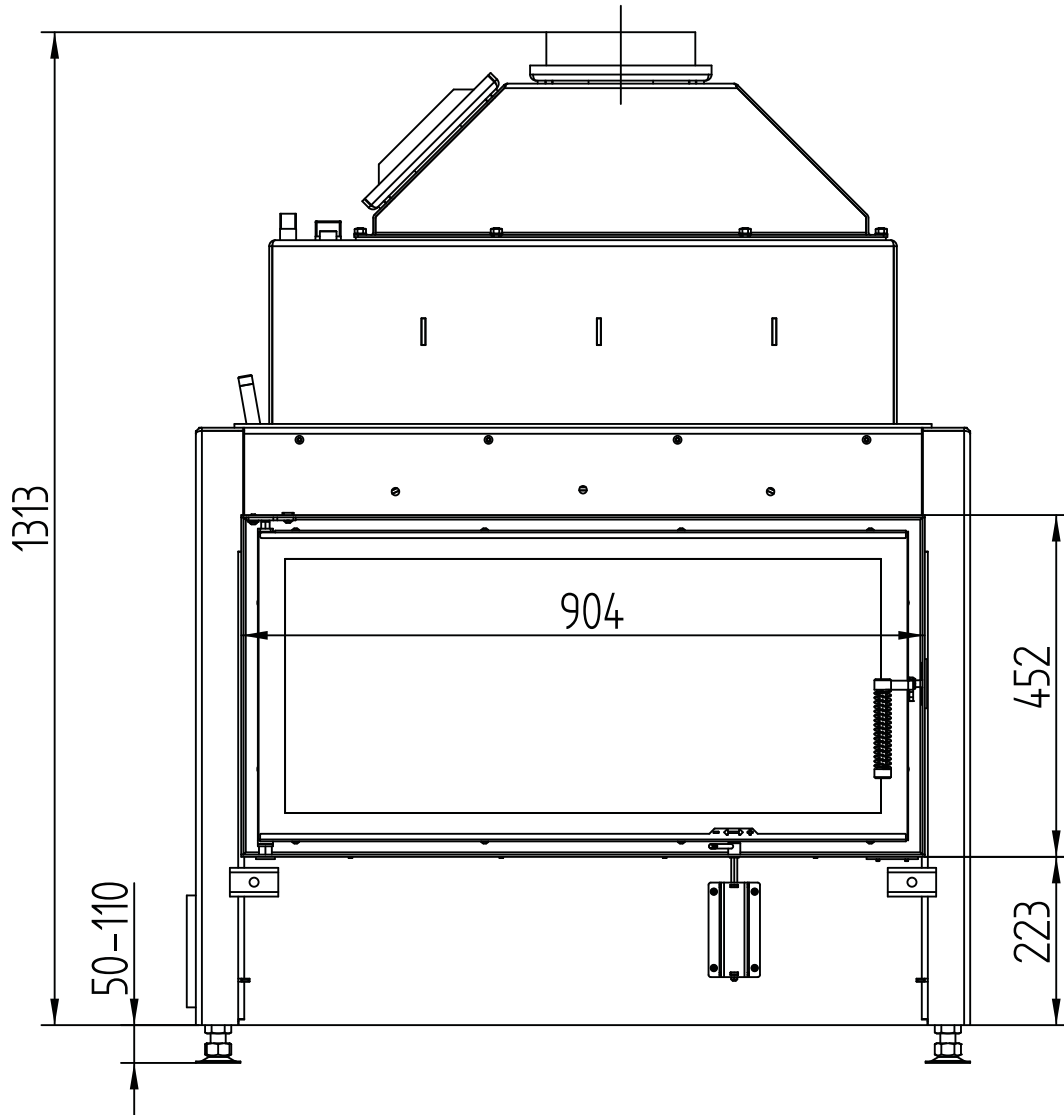


HAKA 89/45W tunnel

Technical data
Version 2019/08

HAKA 89/45W, HAKA 89/45W+ execution side opening / side opening

M 1:10

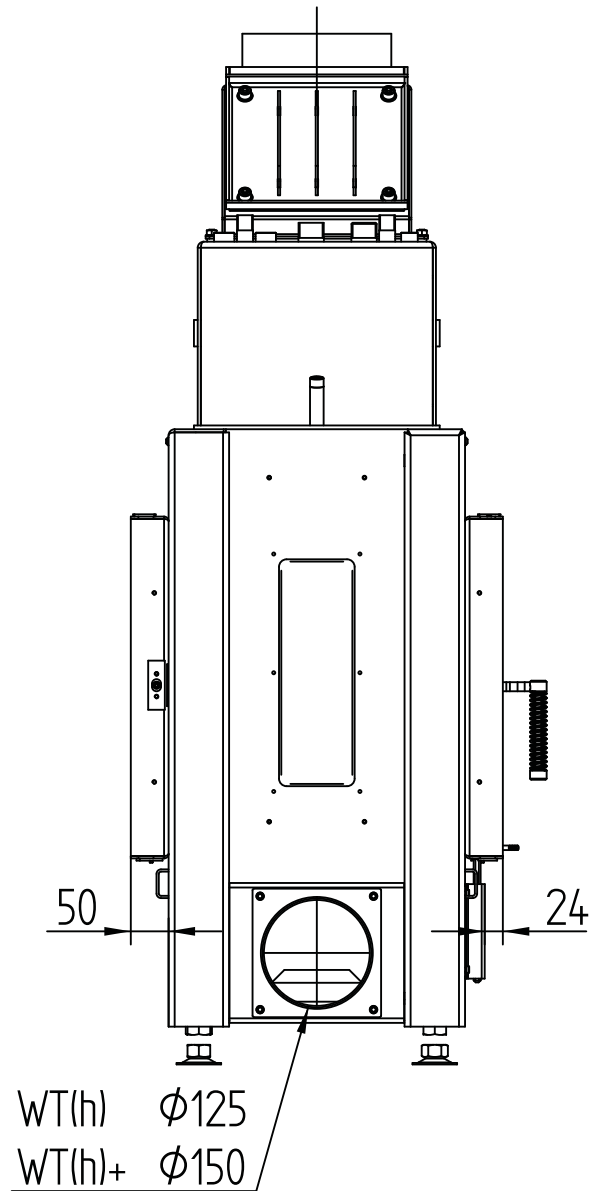


HAKA 89/45W tunnel

Technical data
Version 2019/08

HAKA 89/45W, HAKA 89/45W+ execution side opening / side opening

M 1:10

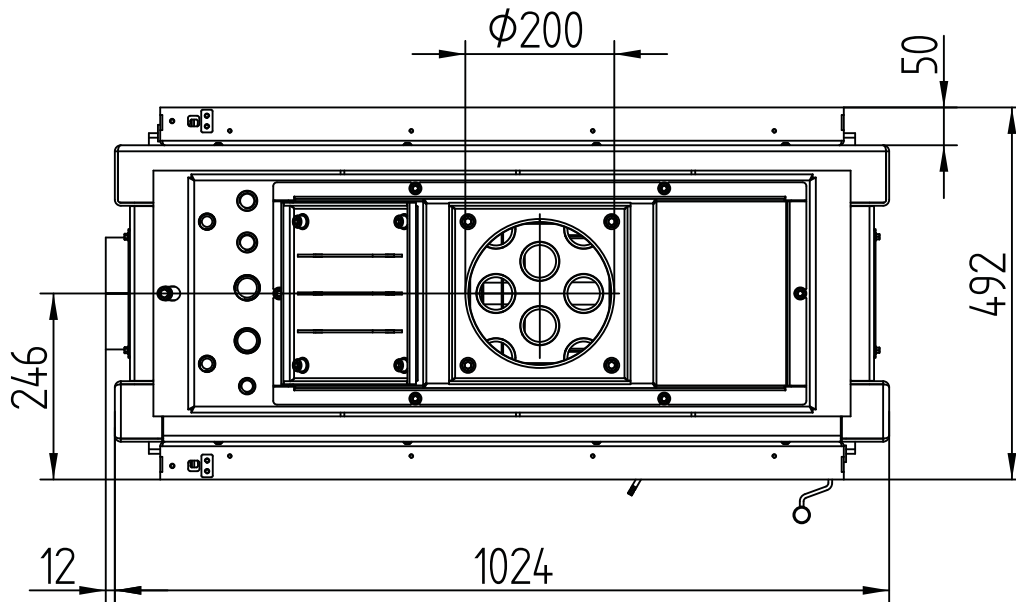


HAKA 89/45W tunnel

Technical data
Version 2019/08

HAKA 89/45W, HAKA 89/45W+ execution side opening / side opening

M 1:10

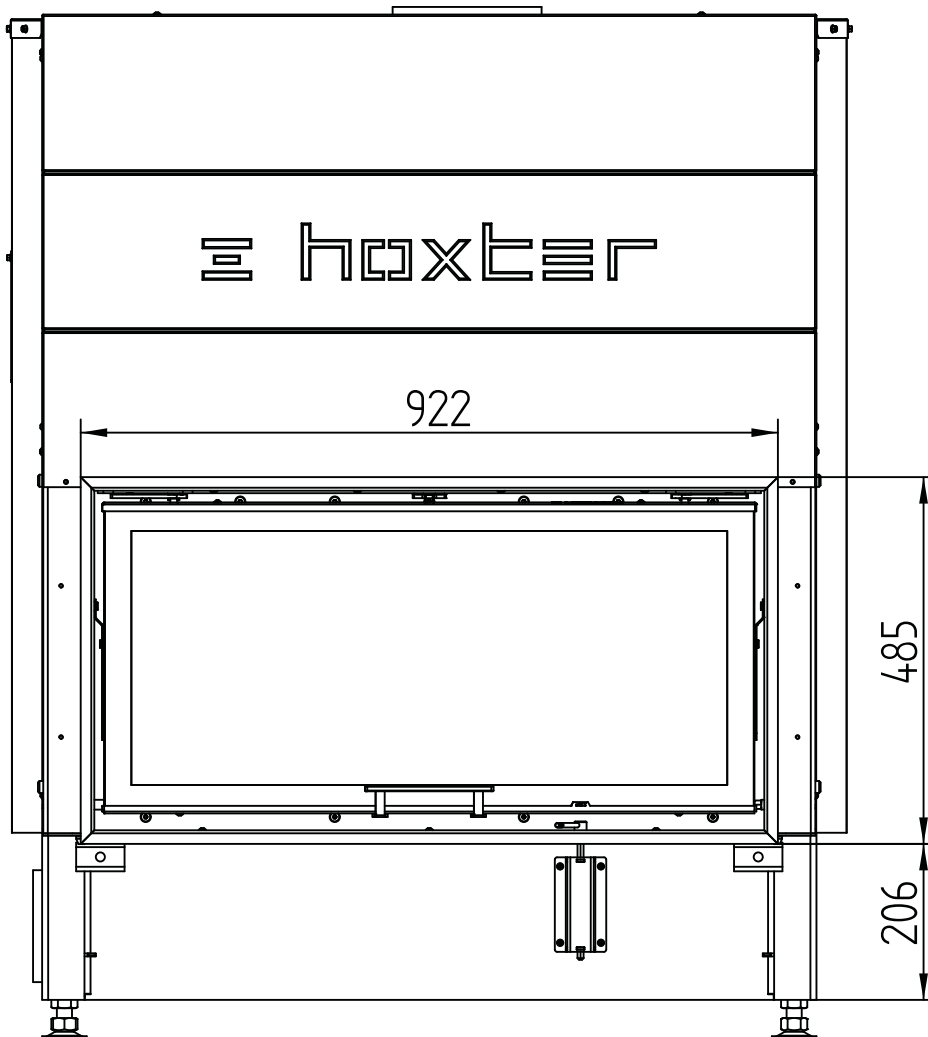


HAKA 89/45W tunnel

Technical data
Version 2019/08

cover frame 89/45h 4sides 50 mm 1 x 90°

M 1:10

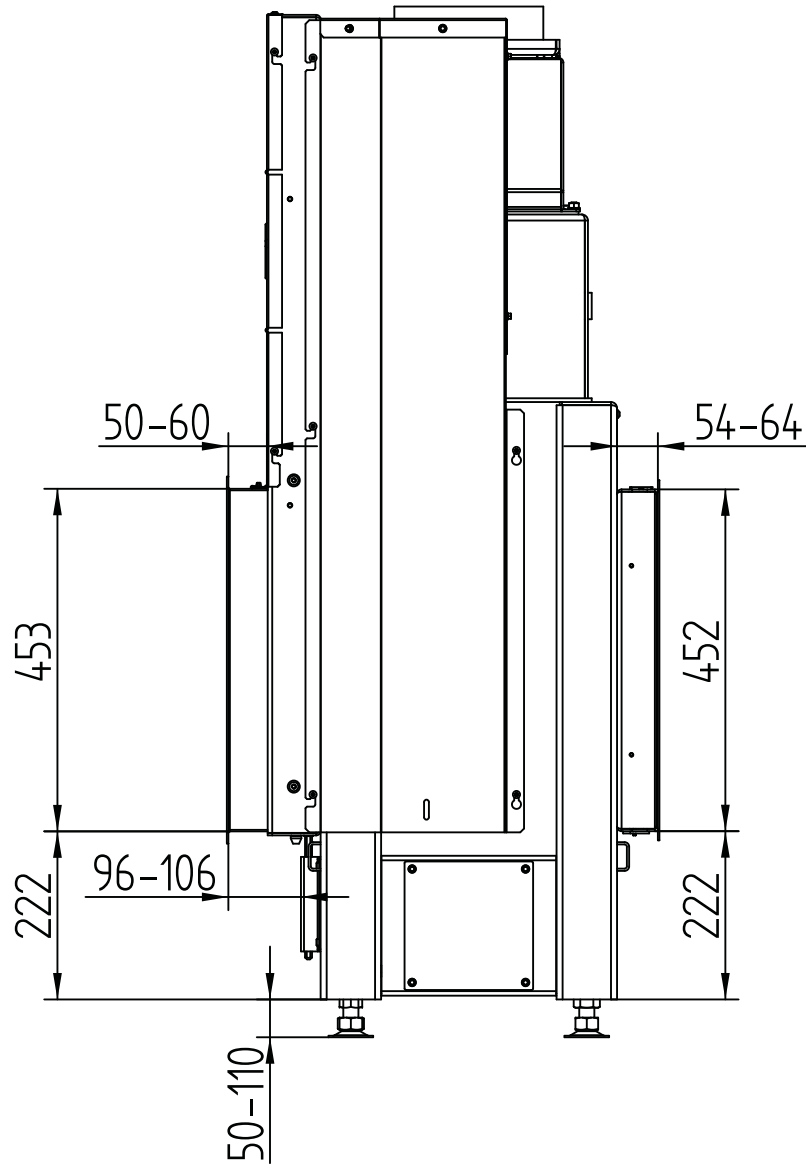


HAKA 89/45W tunnel

Technical data
Version 2019/08

cover frame 89/45h 4sides 50 mm 1 x 90°

M 1:10

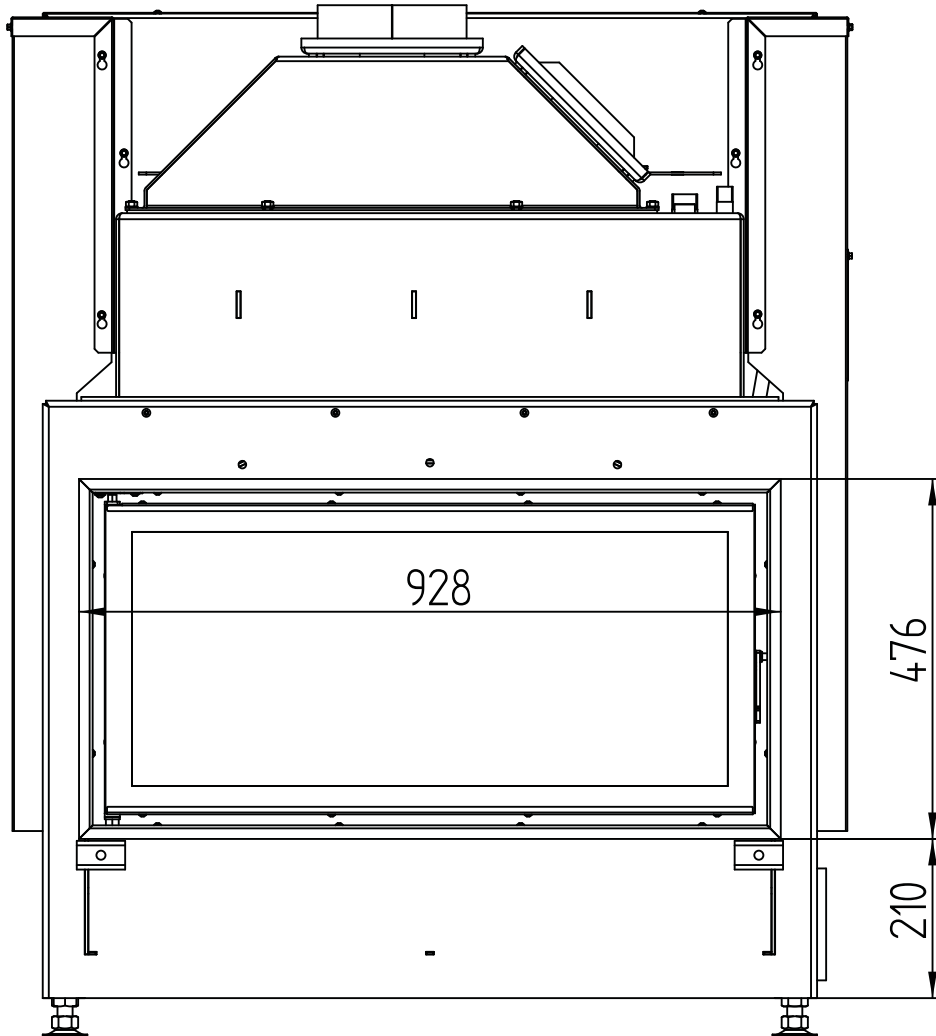


HAKA 89/45W tunnel

Technical data
Version 2019/08

cover frame 89/45h 4sides 50 mm 1 x 90°

M 1:10

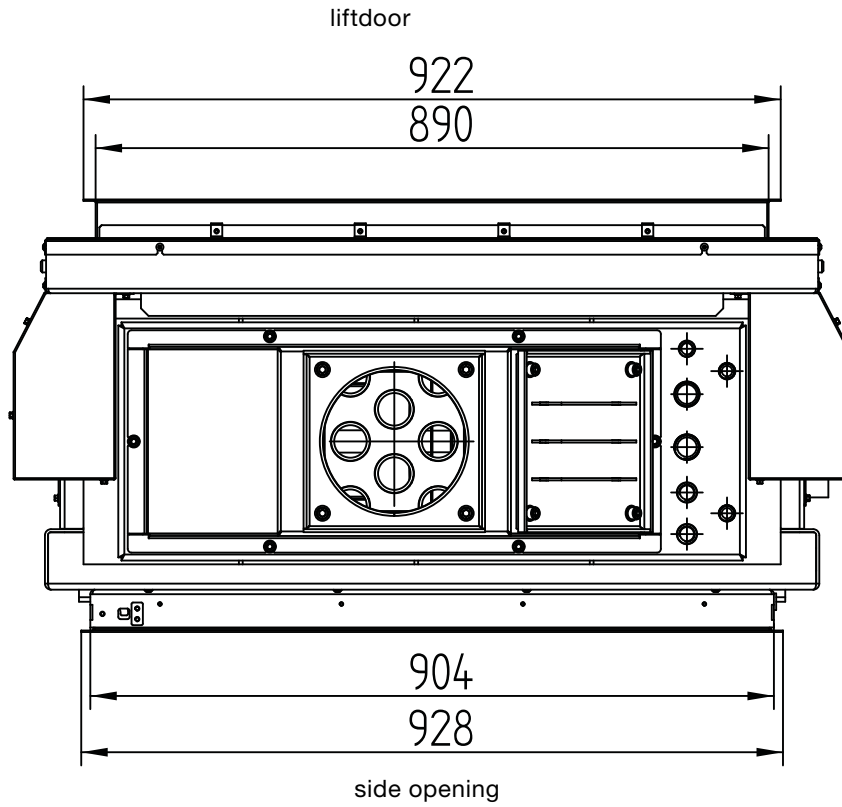


HAKA 89/45W tunnel

Technical data
Version 2019/08

cover frame 89/45h 4sides 50 mm 1 x 90°

M 1:10

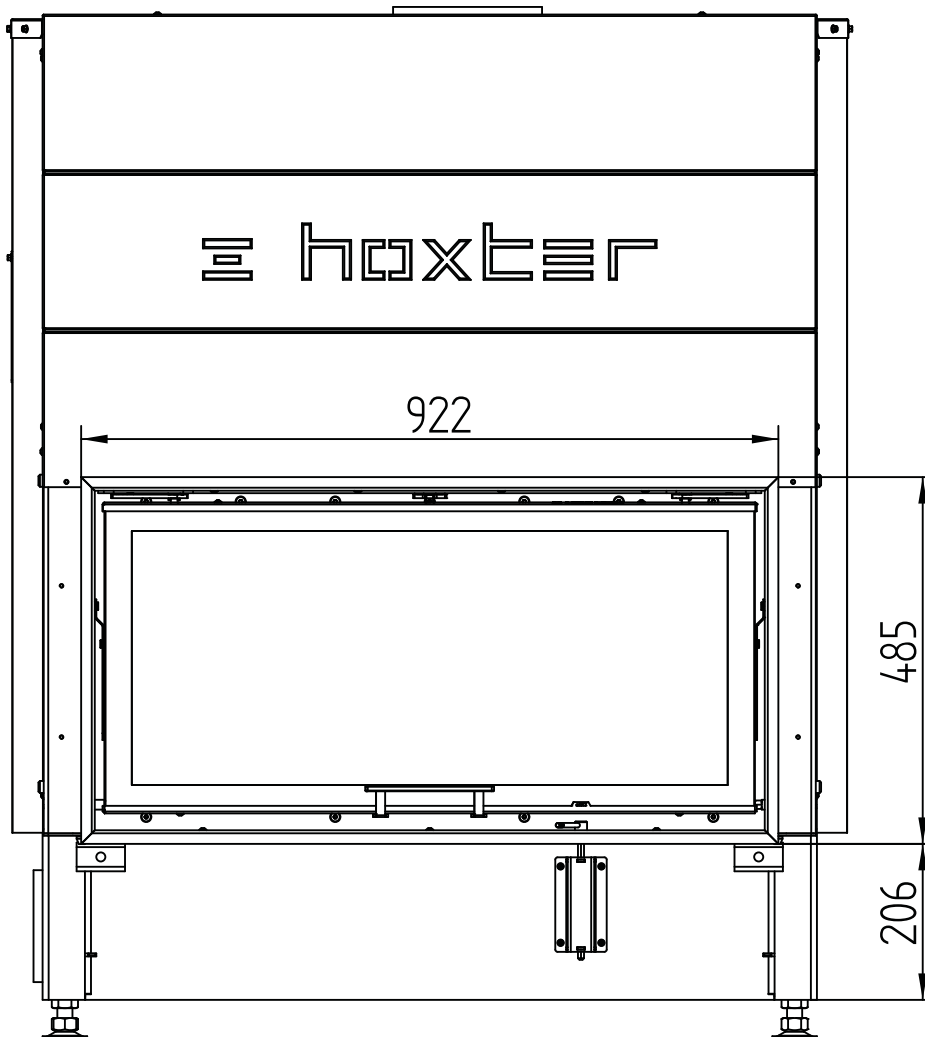


HAKA 89/45W tunnel

Technical data
Version 2019/08

cover frame 89/45h 4sides 80 mm 1 x 90°

M 1:10

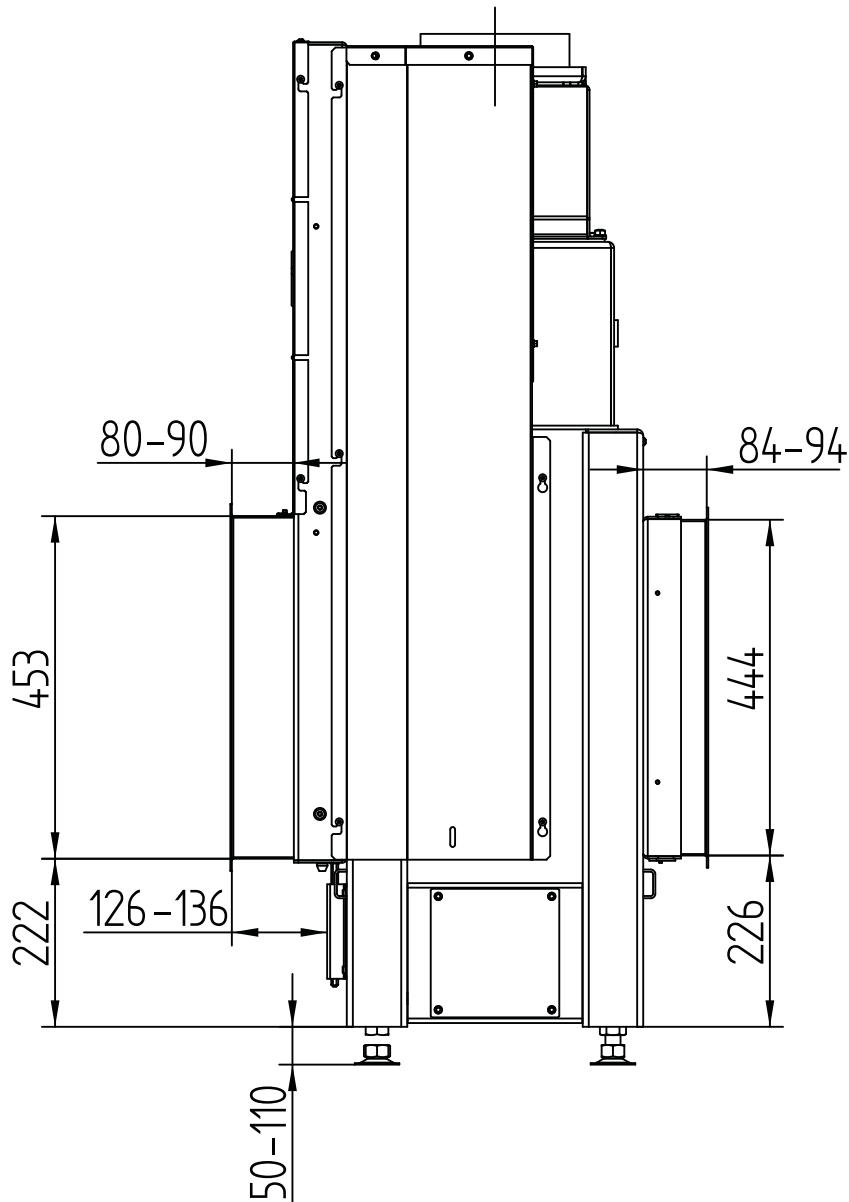


HAKA 89/45W tunnel

Technical data
Version 2019/08

cover frame 89/45h 4sides 80 mm 1 x 90°

M 1:10

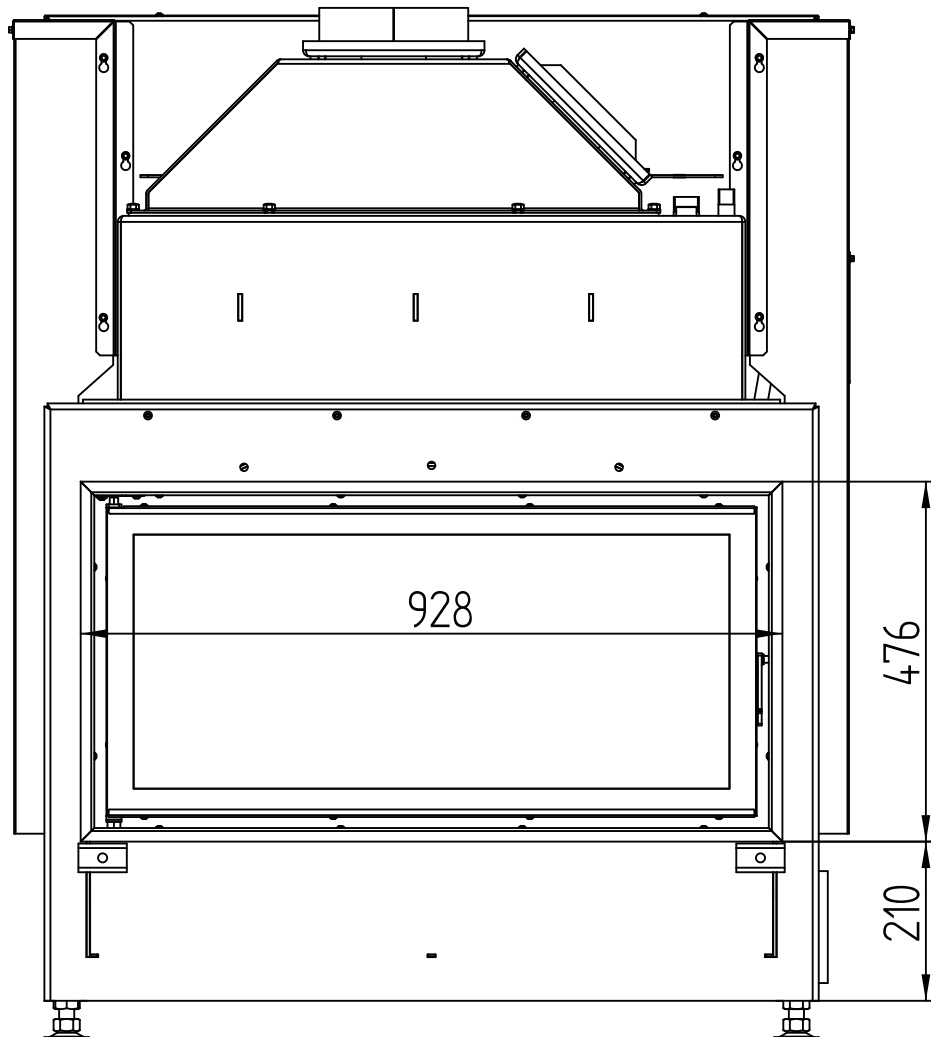


HAKA 89/45W tunnel

Technical data
Version 2019/08

cover frame 89/45h 4sides 80 mm 1 x 90°

M 1:10

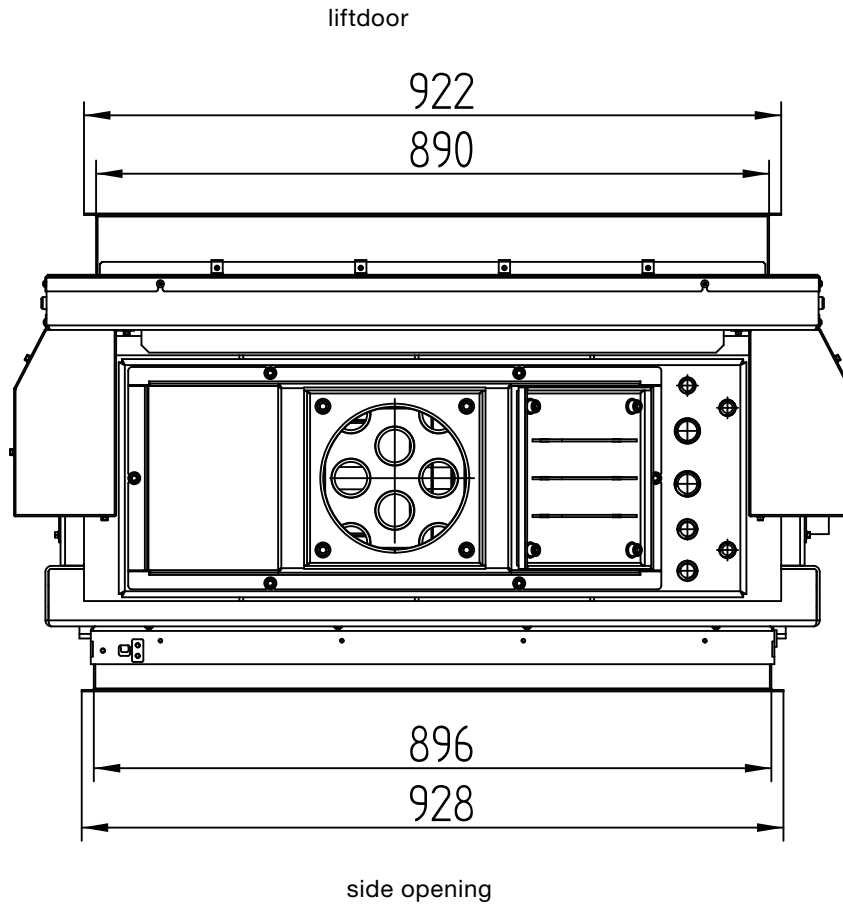


HAKA 89/45W tunnel

Technical data
Version 2019/08

cover frame 89/45h 4sides 80 mm 1 x 90°

M 1:10

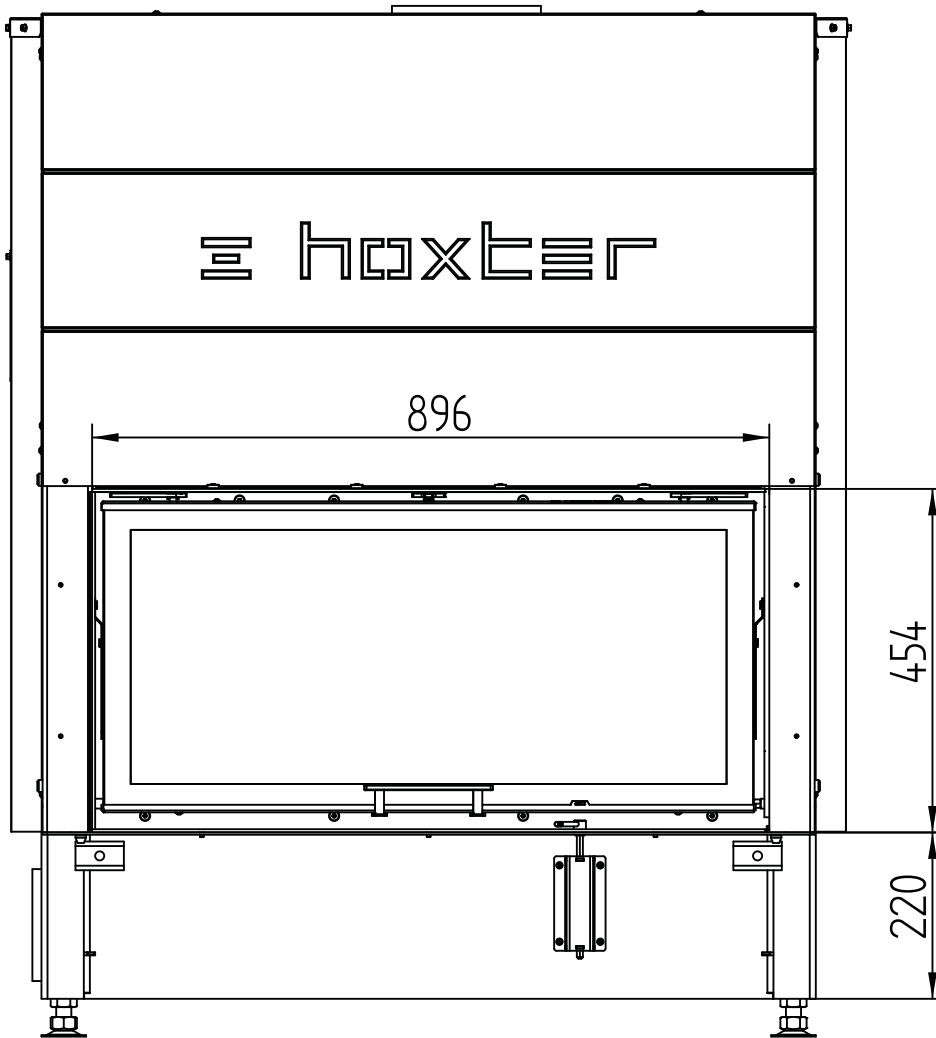


HAKA 89/45W tunnel

Technical data
Version 2019/08

build-on frame 89/45h 4sides 50 mm

M 1:10

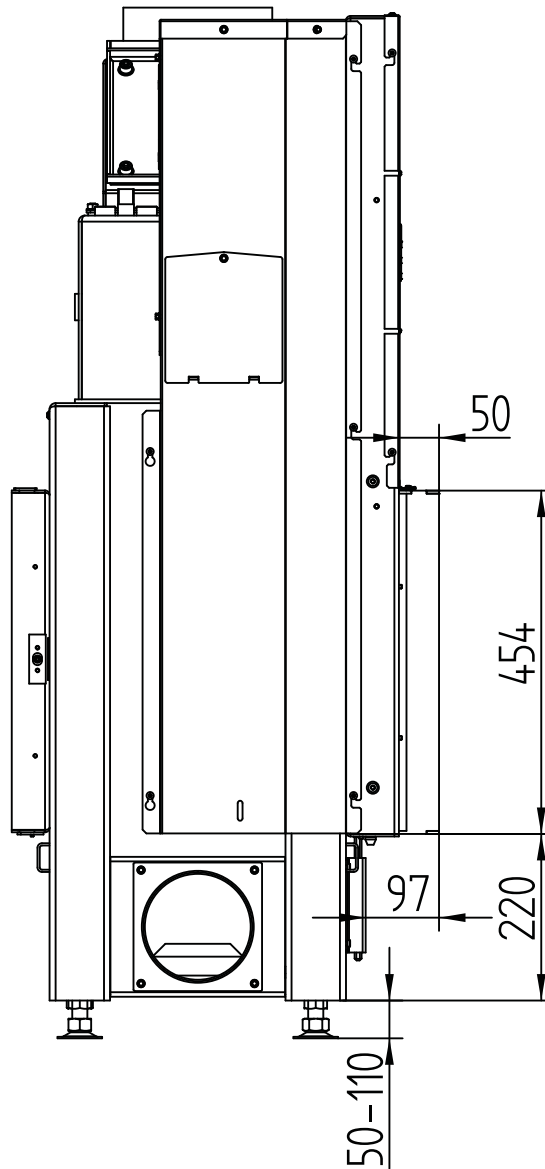


HAKA 89/45W tunnel

Technical data
Version 2019/08

build-on frame 89/45h 4sides 50 mm

M 1:10

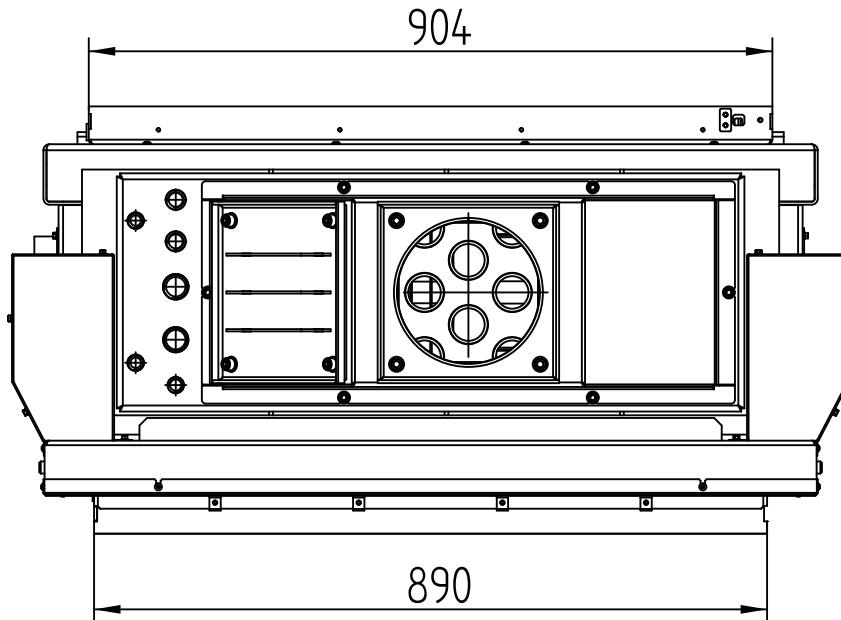


HAKA 89/45W tunnel

Technical data
Version 2019/08

build-on frame 89/45h 4sides 50 mm

M 1:10

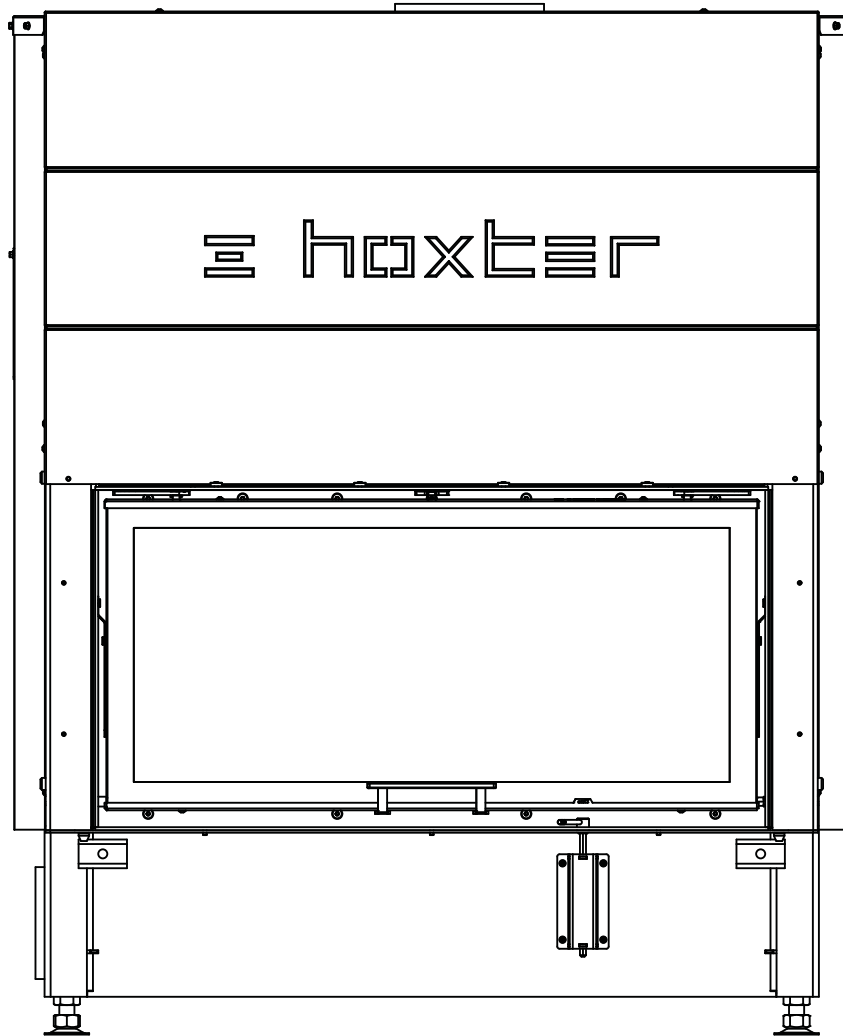


HAKA 89/45W tunnel

Technical data
Version 2019/08

build-on frame 89/45h 4sides 80 mm

M 1:10

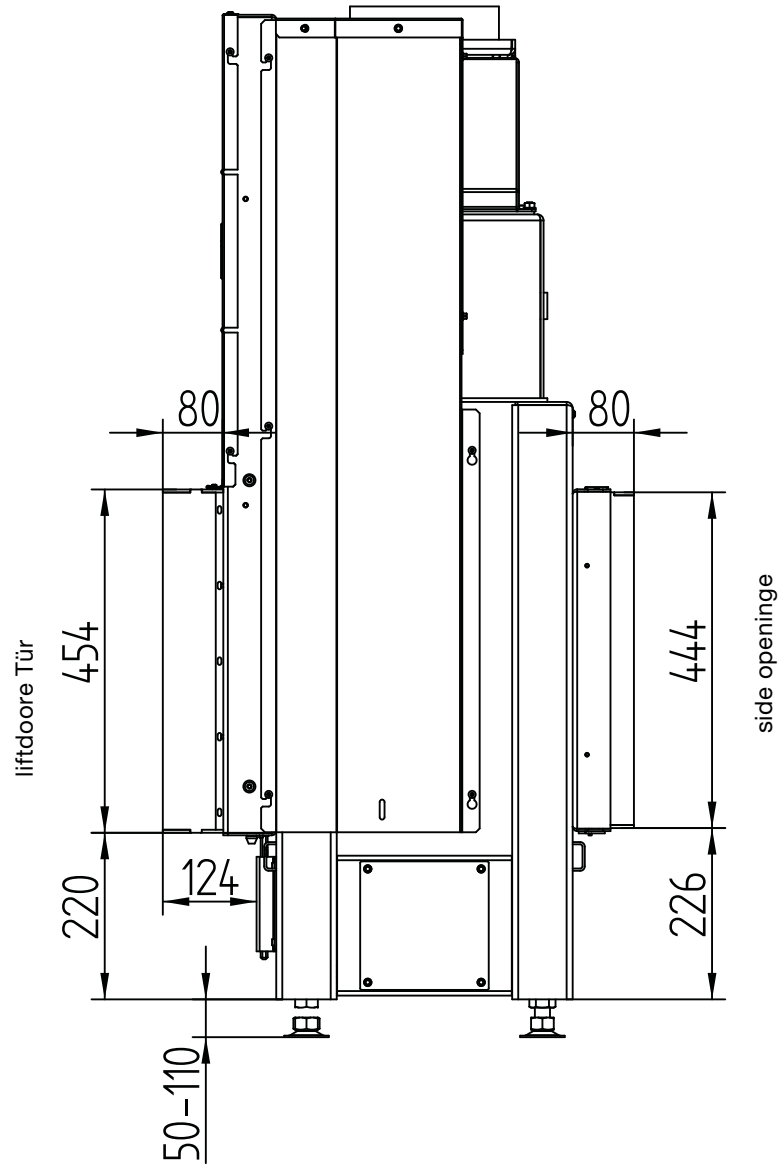


HAKA 89/45W tunnel

Technical data
Version 2019/08

build-on frame 89/45h 4sides 80 mm

M 1:10

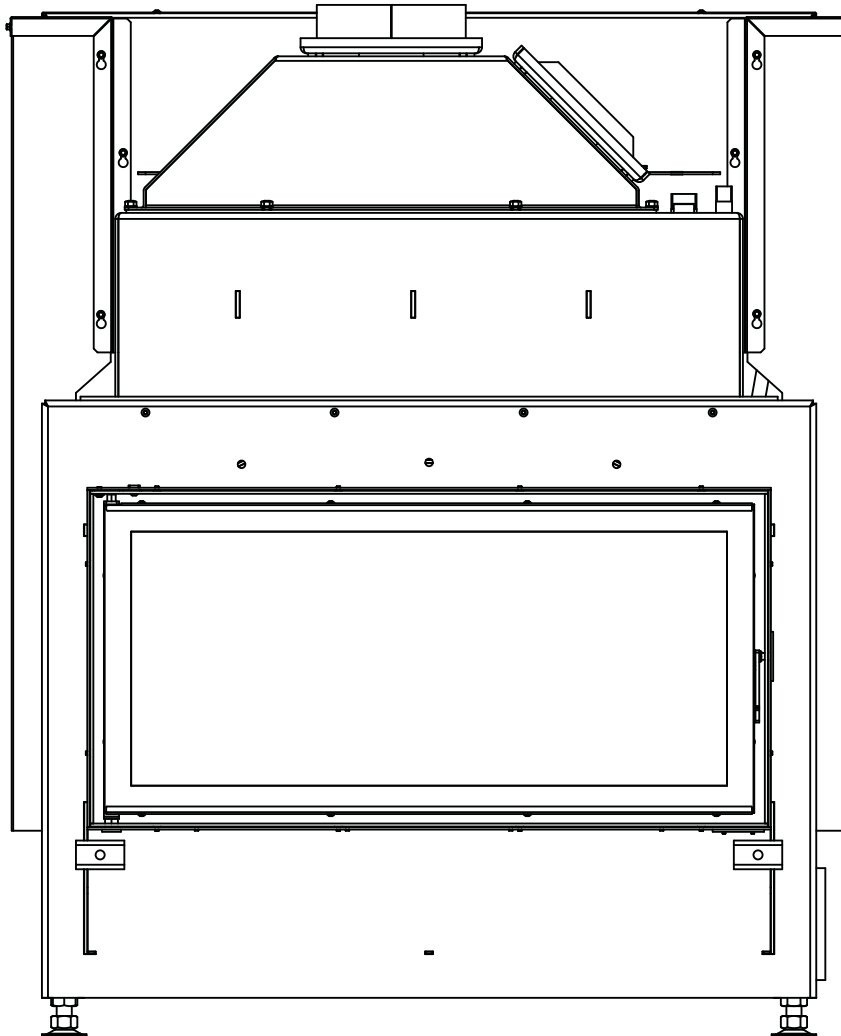


HAKA 89/45W tunnel

Technical data
Version 2019/08

build-on frame 89/45h 4sides 80 mm

M 1:10



HAKA 89/45W tunnel

Technical data
Version 2019/08

build-on frame 89/45h liftdoor 4sides 80 mm

M 1:10

