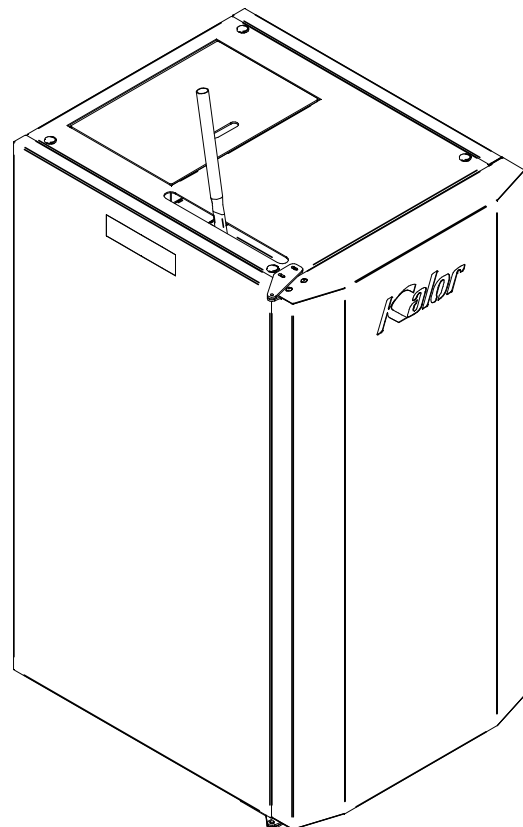
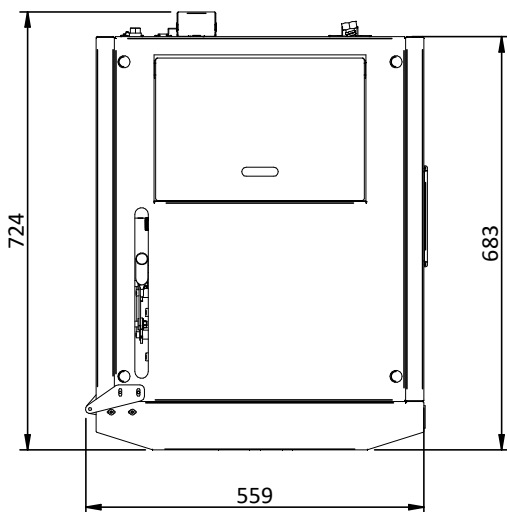
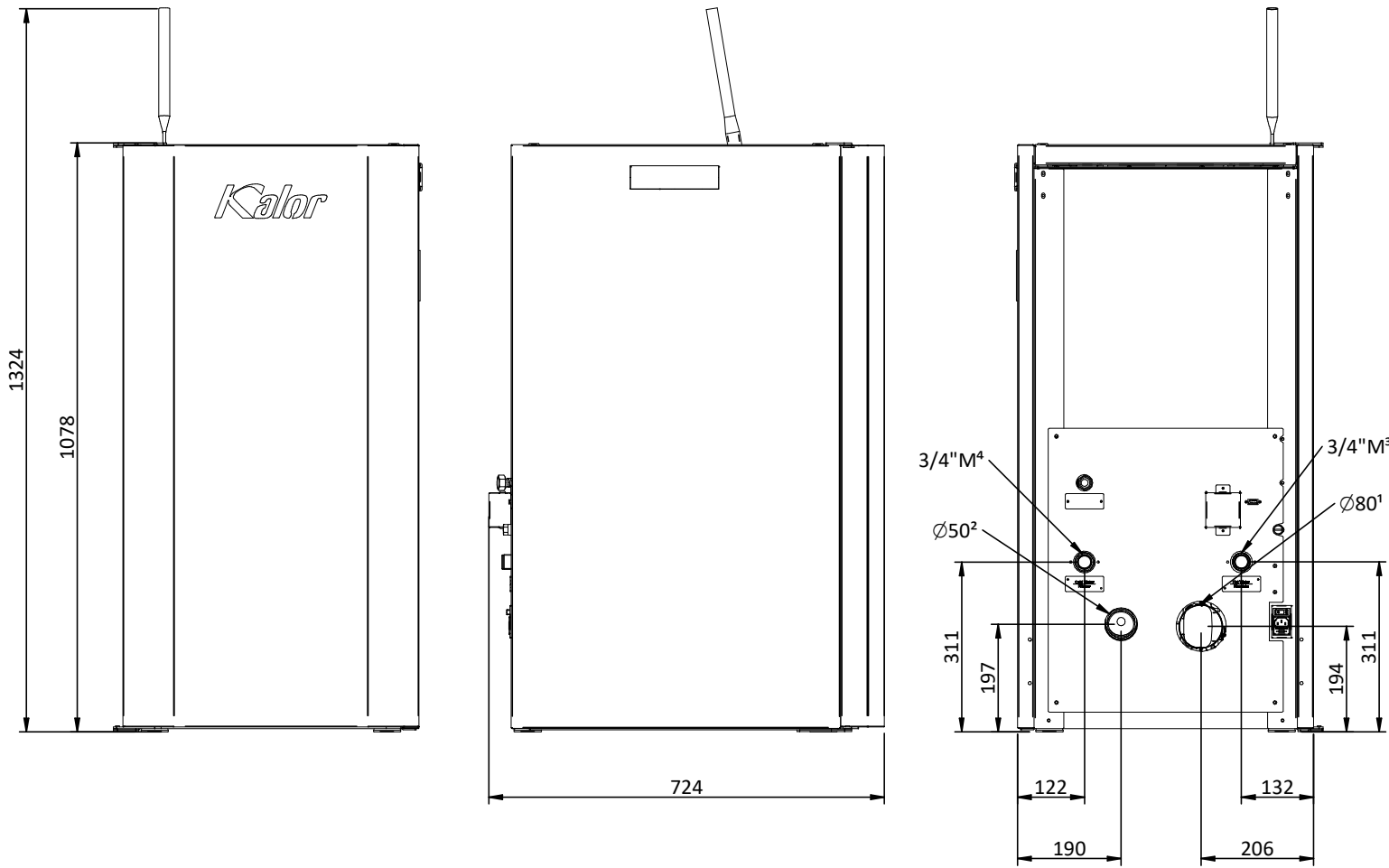


CALDAIA COMPATTA 16

rev. R00



1. USCITA FUMI / SMOKE EXHAUST 2. ARIA / AIR 3. MANDATA / DELIVERY 4. RITORNO / RETURN