

Rozměry v mm
Maße in mm
Dimensions in mm

IMPRESSION L 2g S 71.60.34.21

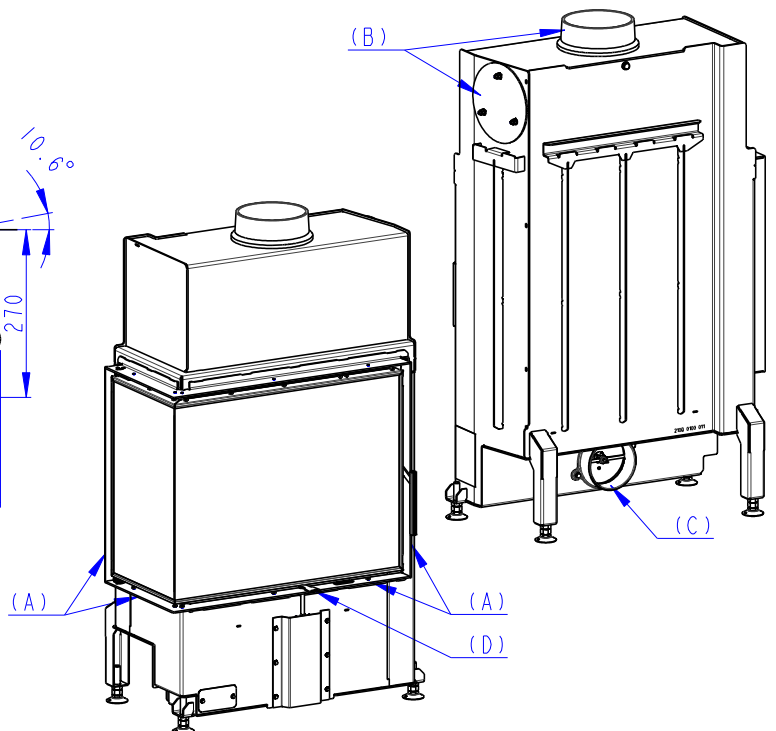
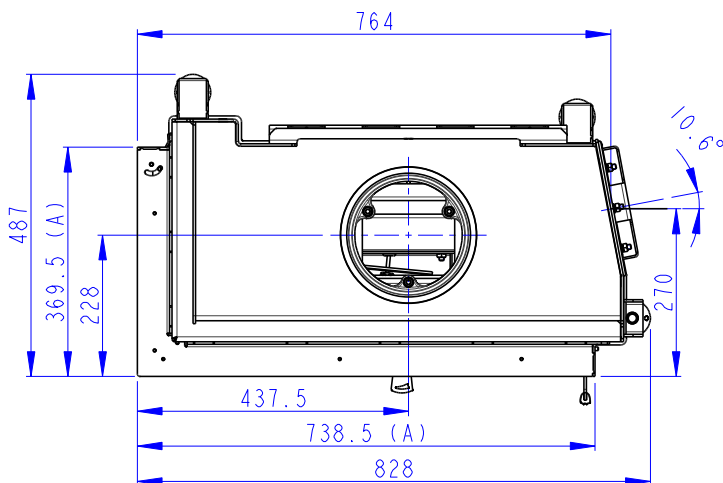
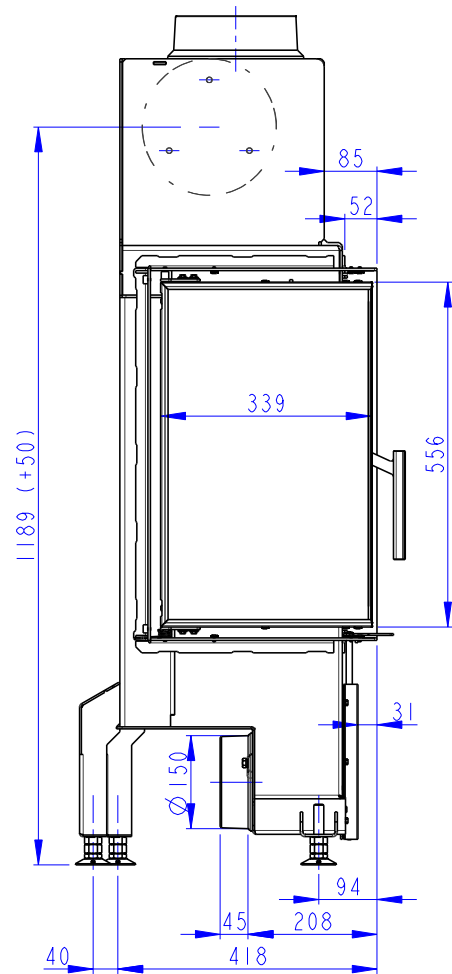
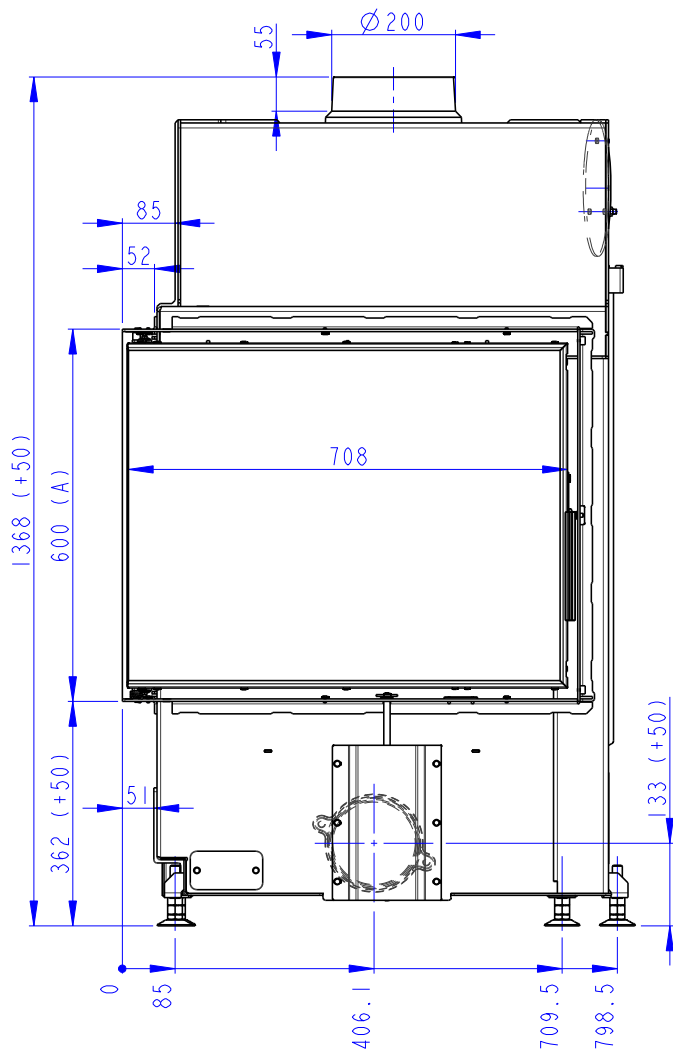
133kg

IMPRESSION L 2g S 71.60.34.21 + IR2LG TOP01

205kg

IMPRESSION L 2g S 71.60.34.21 + IR2LG TOP02

195kg

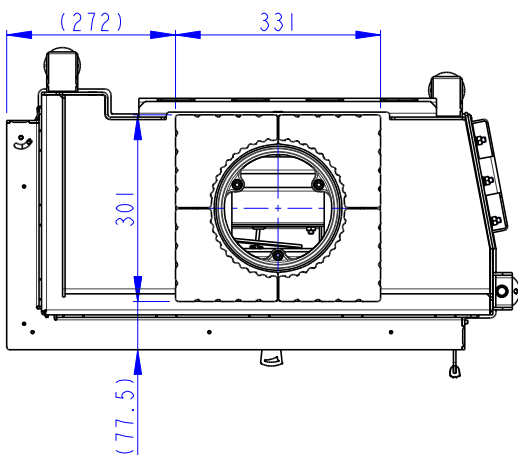
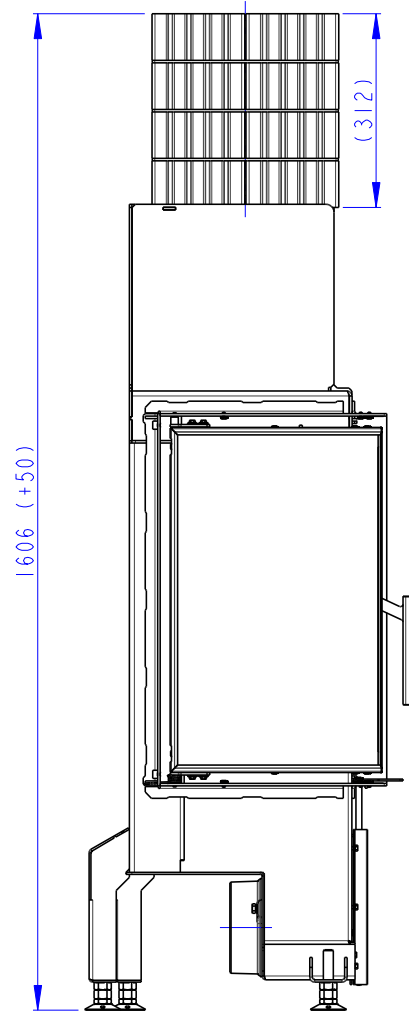
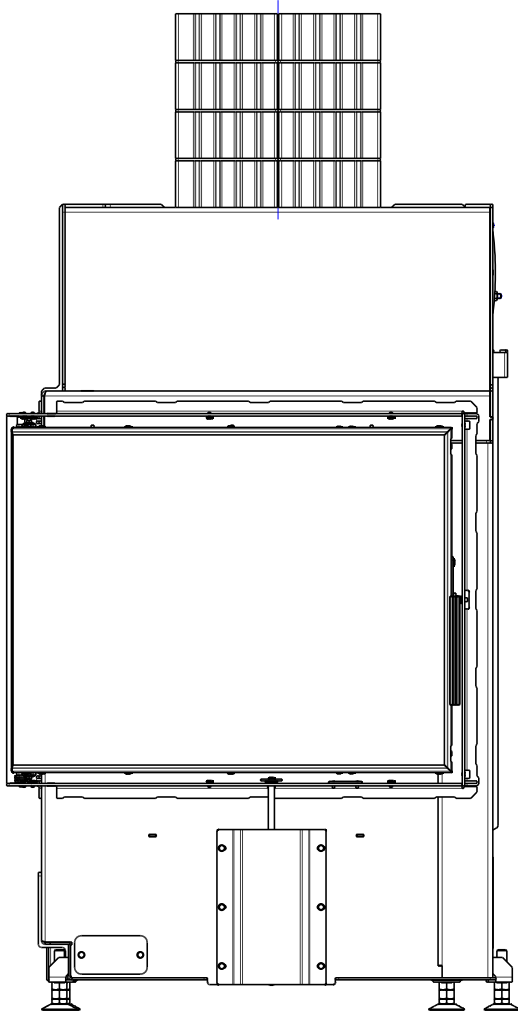


- (A) Zastavbovy rozmer / Baumaße / In-built dimension
- (B) Litinový odvod kouře / Cast iron spigot / Der gusseiserne Rauchabgang
- (C) Centralni privod vzduchu / Central air inlet / Zentralluftzufuhr
- (D) Primarni a sekundarni vzduch / Primary and secondary air / Primärluft und Sekundärluft

Rozmery v mm
Maße in mm
Dimensions in mm

IMPRESSION L 2g S 71.60.34.21 + AKKUM KV 04
+ AKKUM KV 04 + IR2LG TOP01
+ AKKUM KV 04 + IR2LG TOP02

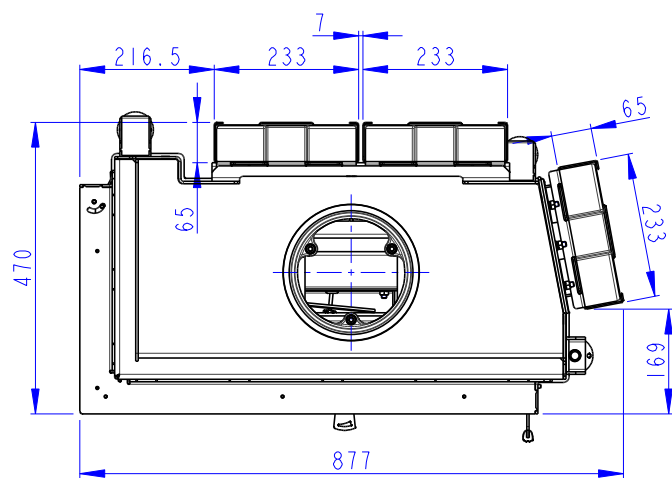
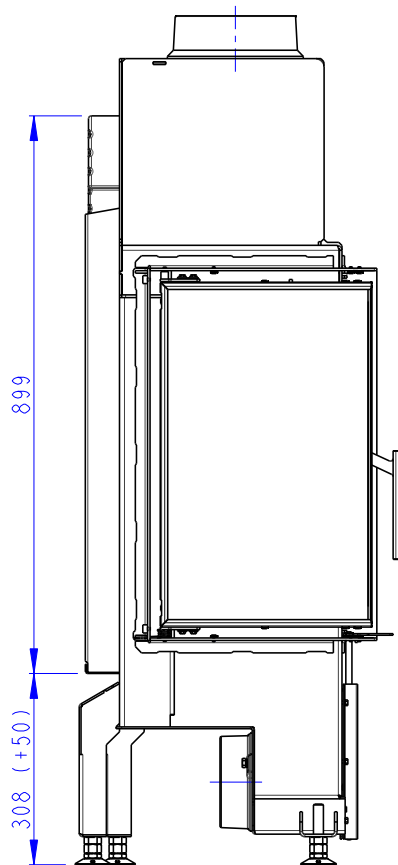
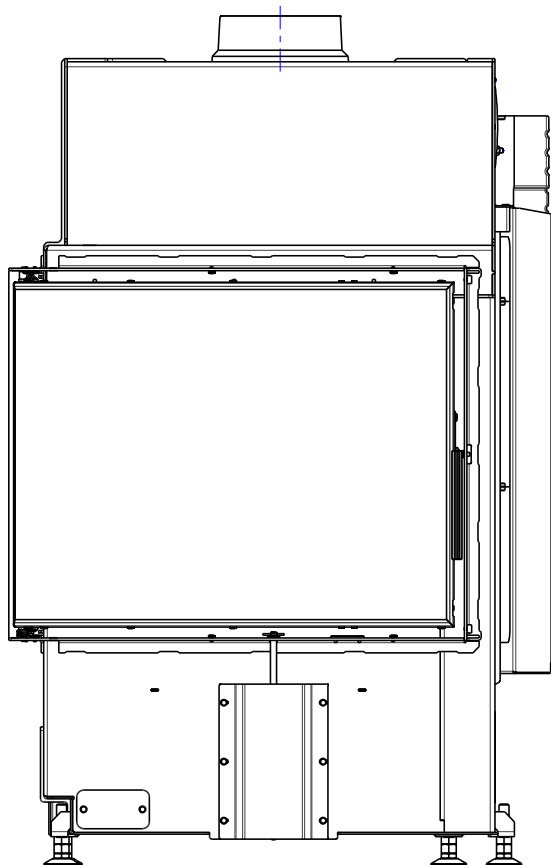
203kg
275kg
265kg



Rozmery v mm
Maße in mm
Dimensions in mm

IMPRESSION L 2g S 71.60.34.21 + AKKUM KV 06
+ AKKUM KV 06 + IR2LG TOP01
+ AKKUM KV 06 + IR2LG TOP02

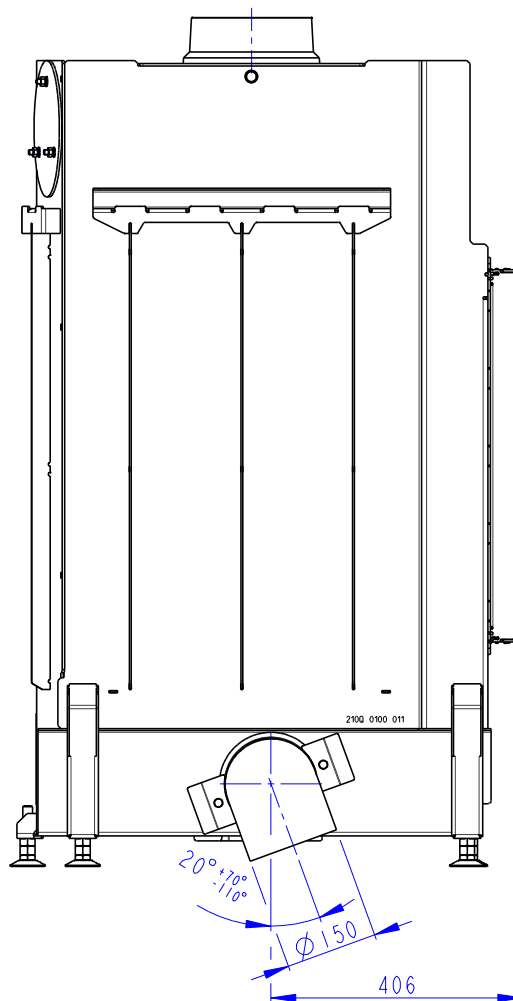
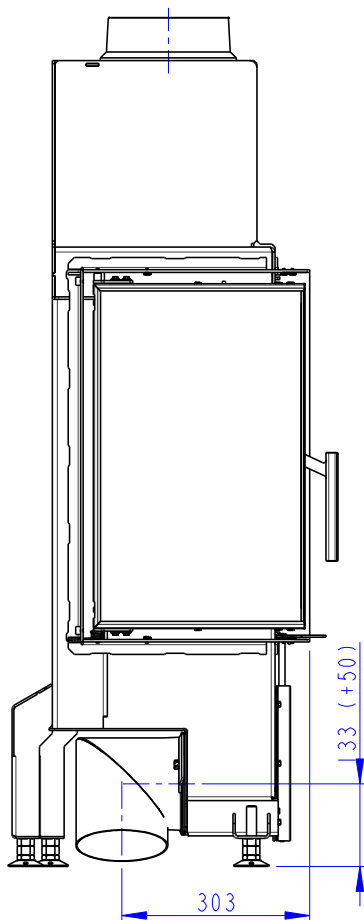
271kg
343kg
333kg



Rozmery v mm
Maße in mm
Dimensions in mm

IMPRESSION L 2g S 71.60.34.21 + 12 AIRBOX 01
+ 12 AIRBOX 01 + 1R2LG TOP01
+ 12 AIRBOX 01 + 1R2LG TOP02

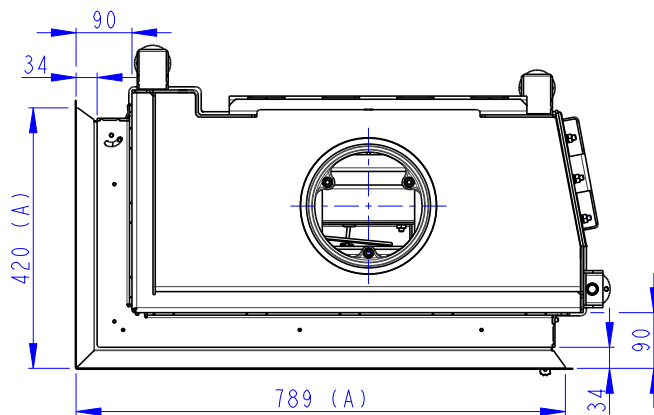
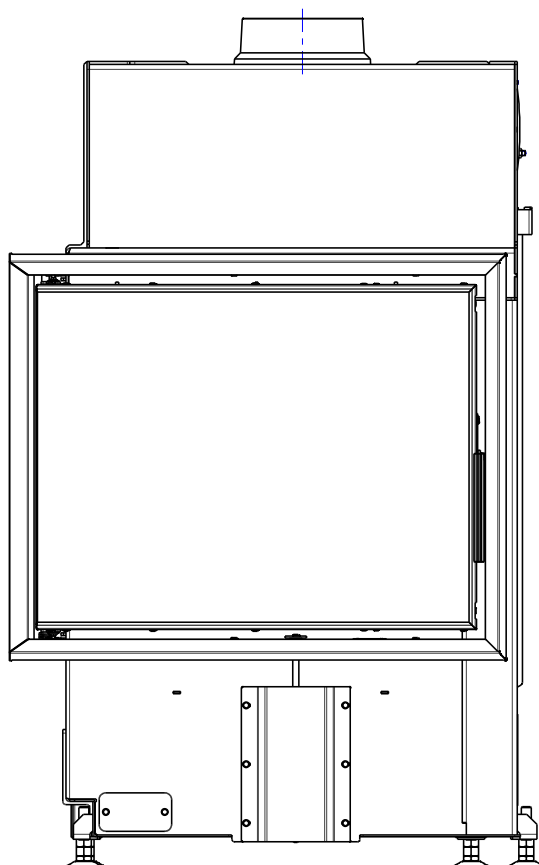
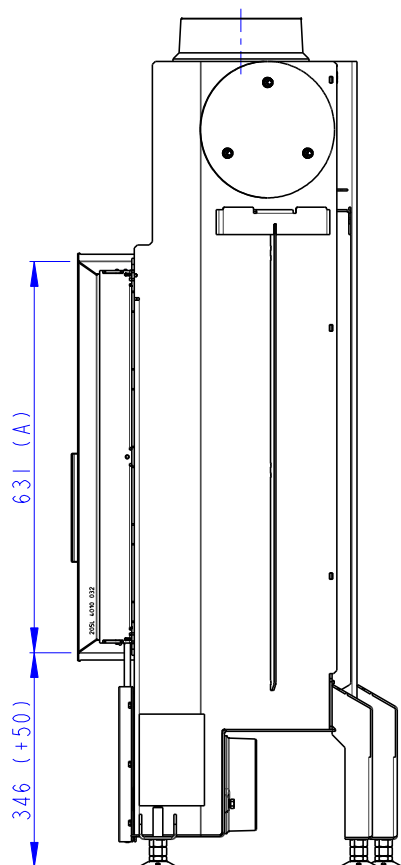
135kg
207kg
197kg



Rozmery v mm
Maße in mm
Dimensions in mm

IMPRESSION L 2g S 71.60.34.21 + IR2SG RAM04
+ IR2SG RAM04 + IR2LG TOP01
+ IR2SG RAM04 + IR2LG TOP02

136.5kg
208.5kg
198.5kg

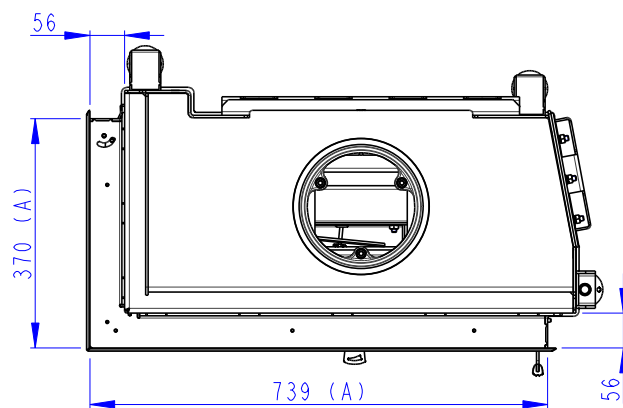
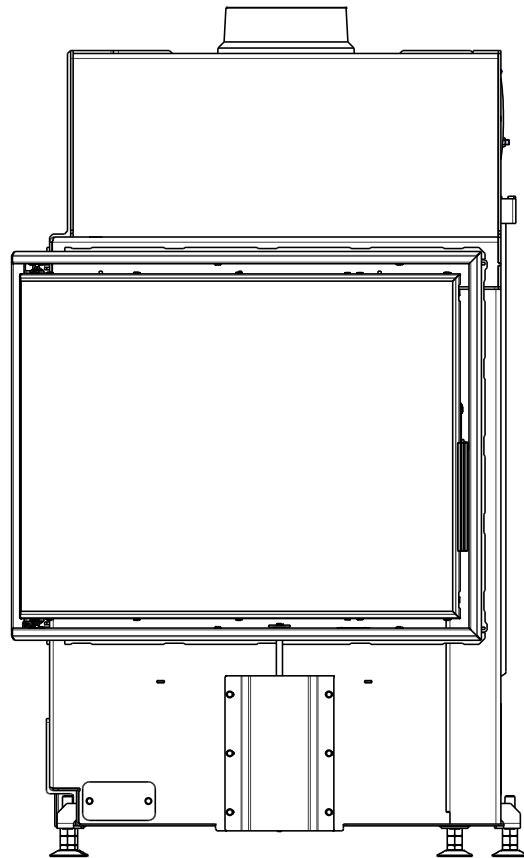
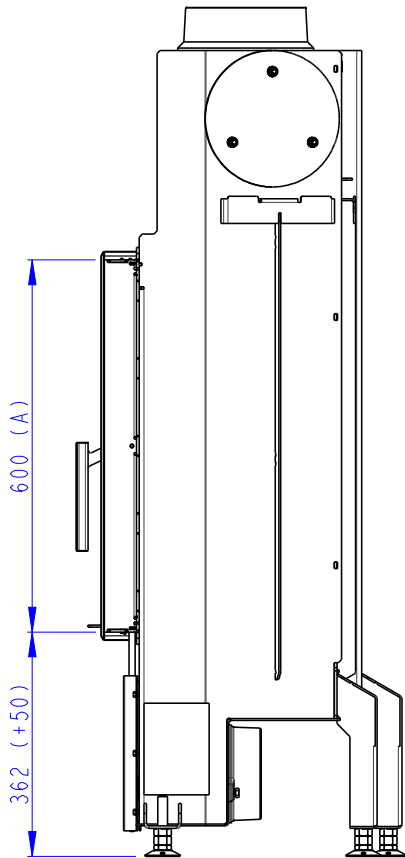


(A) Zastavbovy rozmer / Baumaße / In-built dimension

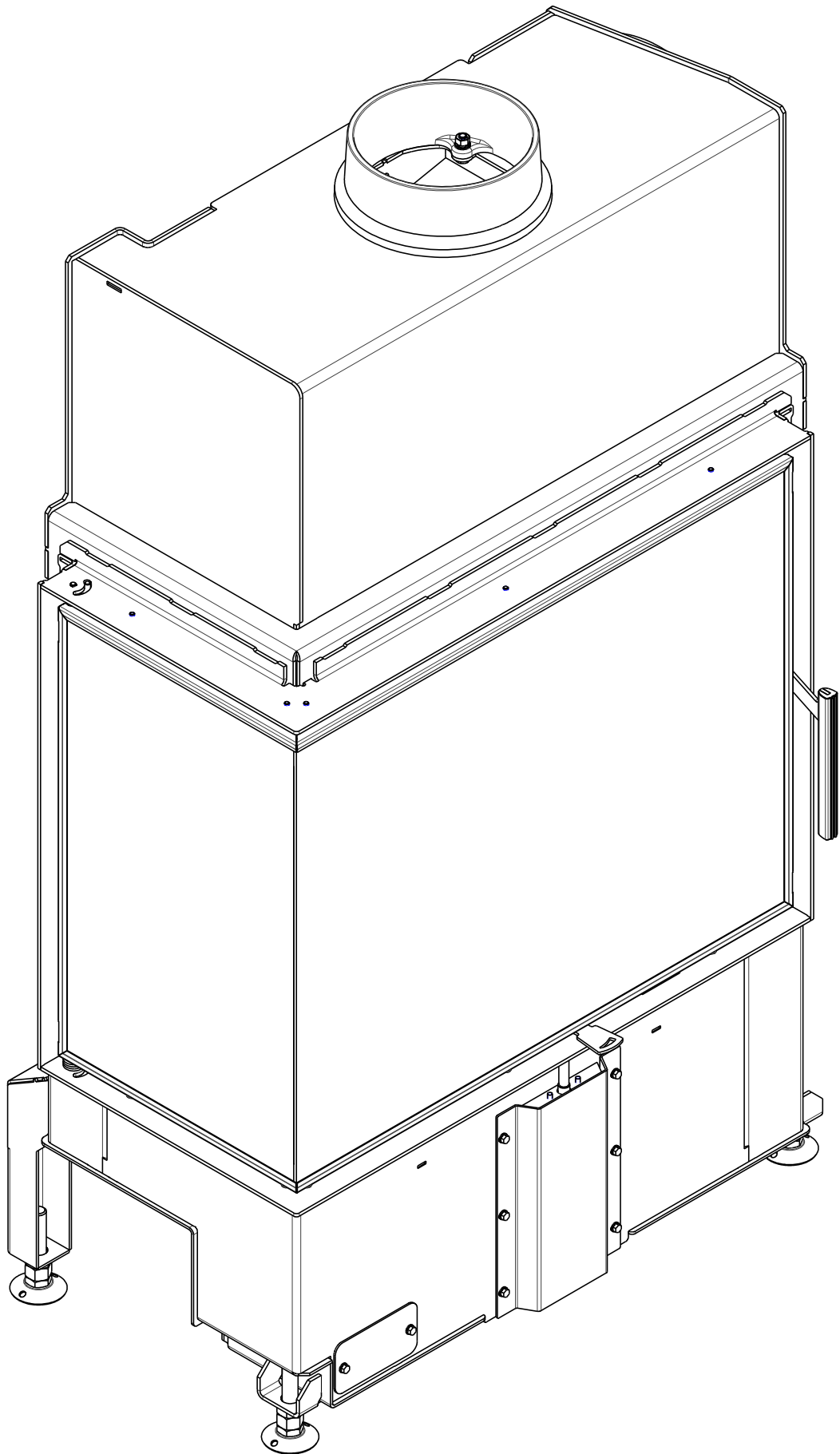
Rozmery v mm
Maße in mm
Dimensions in mm

IMPRESSION L 2g S 71.60.34.21 + IR2SG RAM06
+ IR2SG RAM06 + IR2LG TOP01
+ IR2SG RAM06 + IR2LG TOP02

135.3kg
207.3kg
197.3kg



(A) Zastavbovy rozmer / Baumße / In-built dimension



Rozměry v mm
Maße in mm
Dimensions in mm

IMPRESSION R 2g S 71.60.34.21

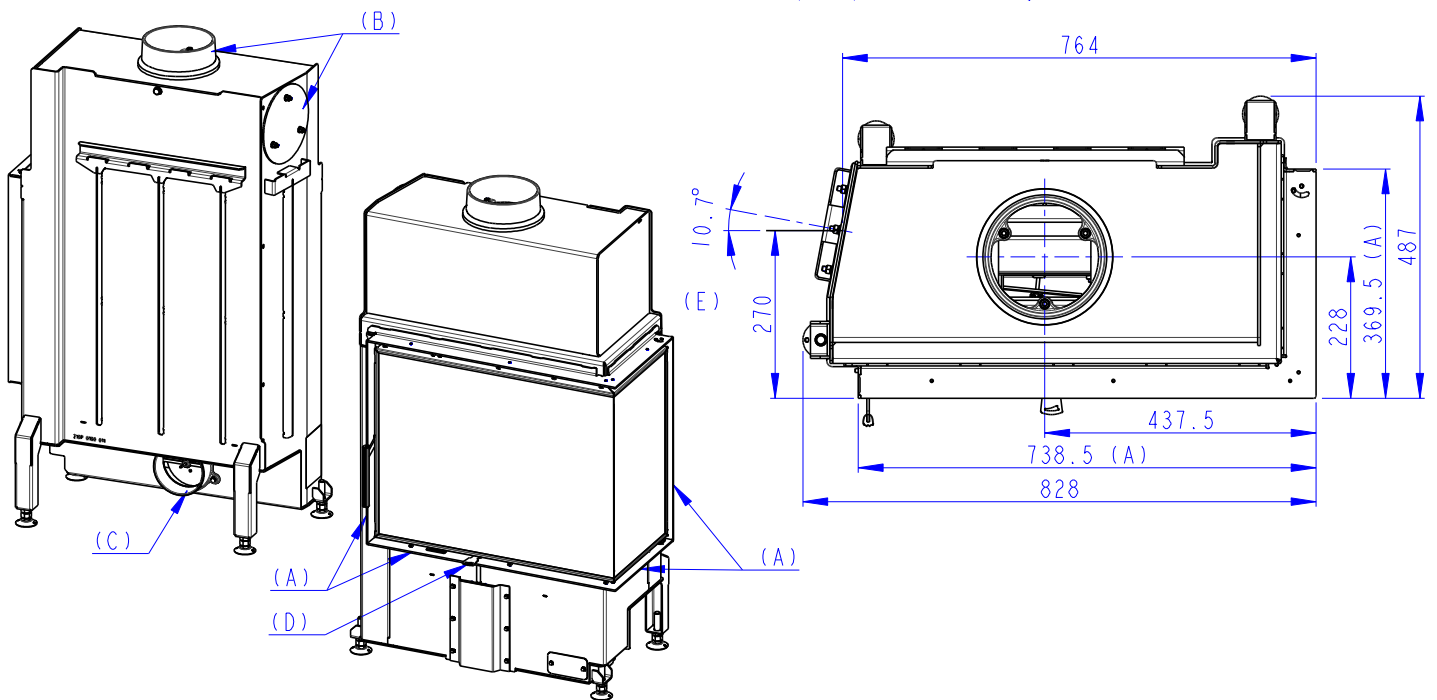
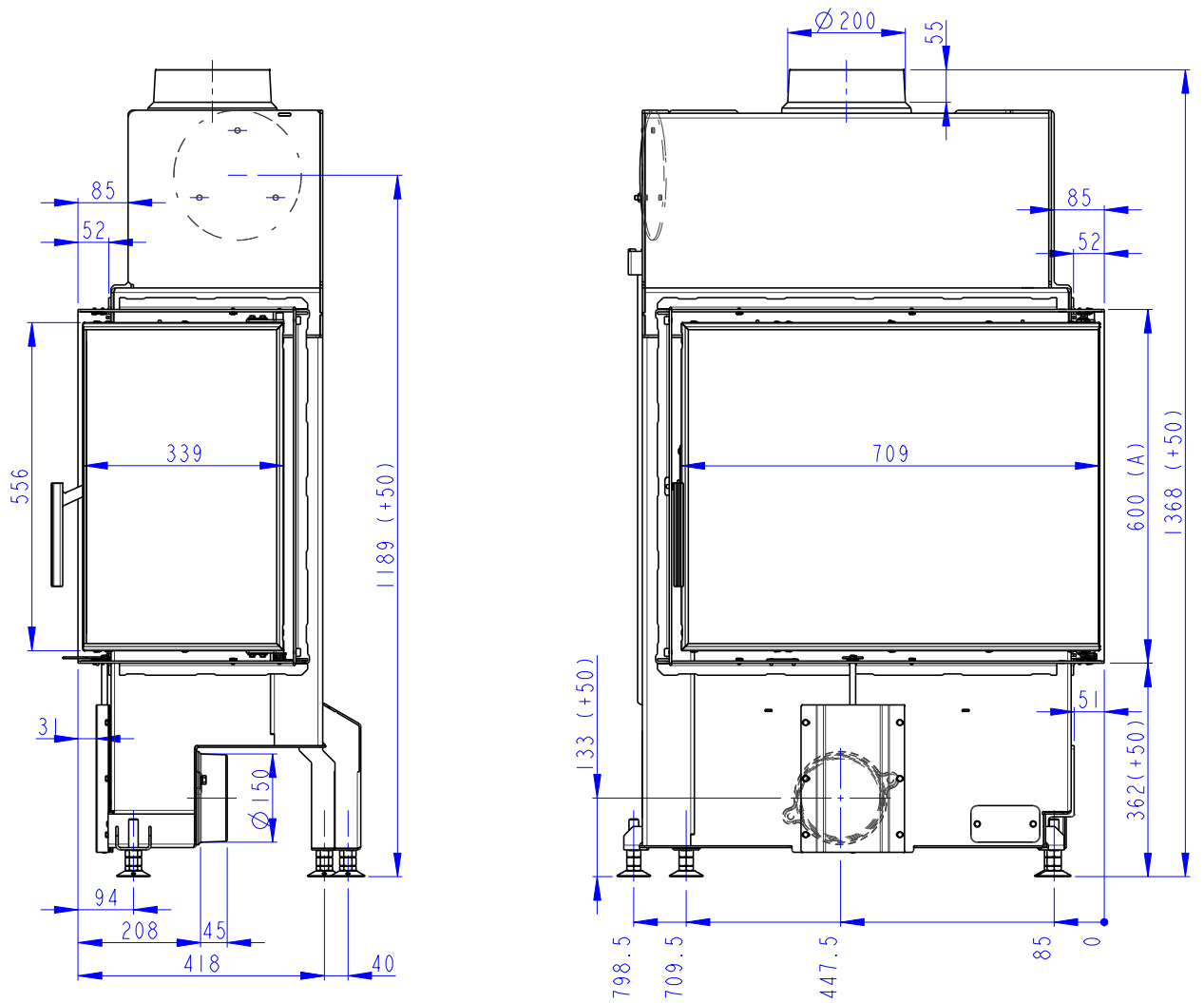
133kg

IMPRESSION R 2g S 71.60.34.21 + IR2LG TOP01

205kg

IMPRESSION R 2g S 71.60.34.21 + IR2LG TOP02

195kg

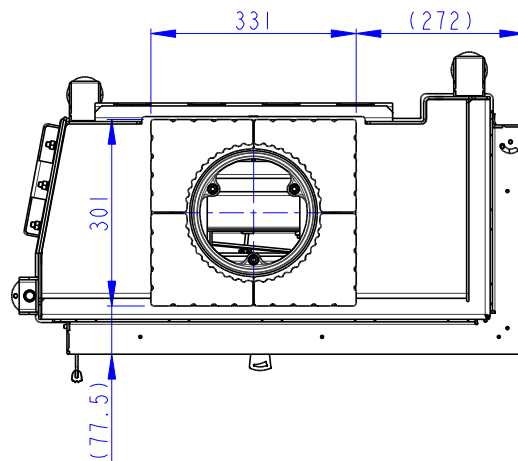
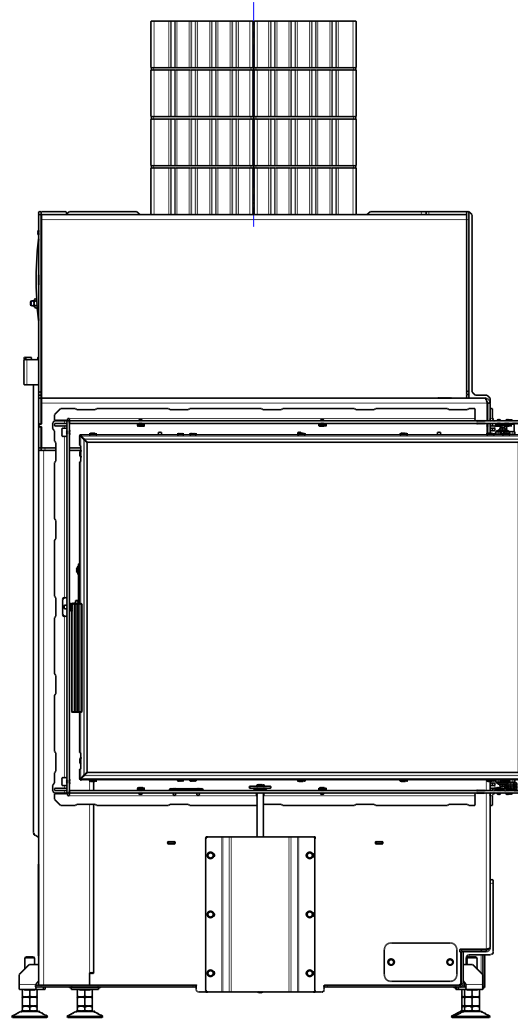
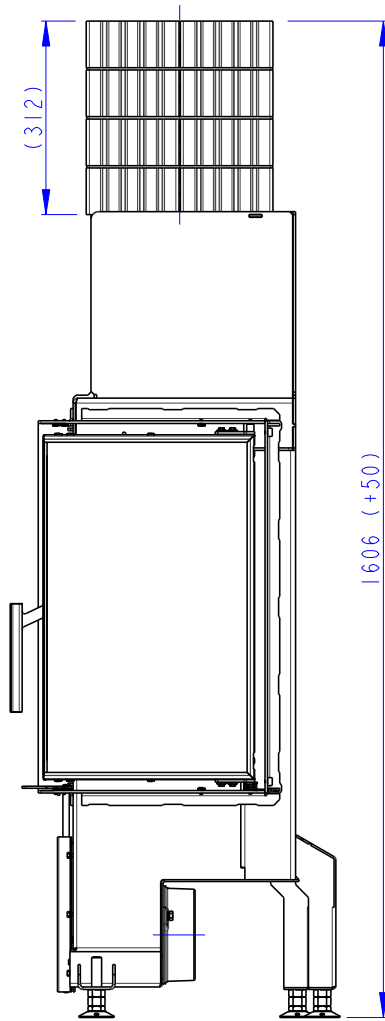


- (A) Zastavbovy rozmer / Baumaße / In-built dimension
- (B) Litinový odvod kouře / Cast iron spigot / Der gusseiserne Rauchabgang
- (C) Centralni privod vzduchu / Central air inlet / Zentralluftzufuhr
- (D) Primarni a sekundarni vzduch / Primary and secondary air / Primärluft und Sekundärluft

Rozměry v mm
Maße in mm
Dimensions in mm

IMPRESSION R 2g S 71.60.34.21 + AKKUM KV 04
+ AKKUM KV 04 + IR2LG TOP01
+ AKKUM KV 04 + IR2LG TOP02

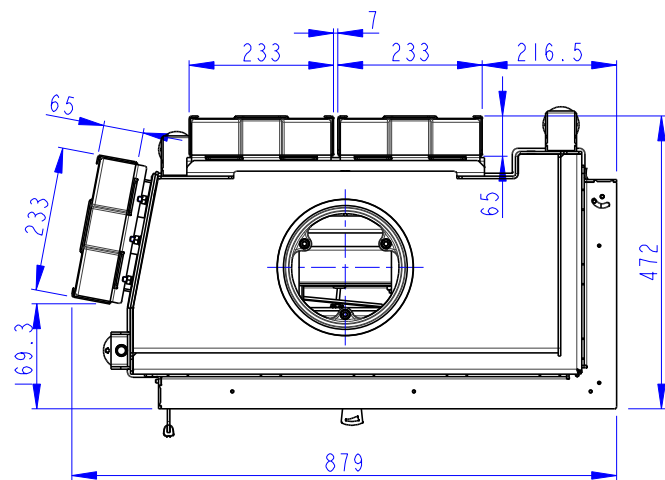
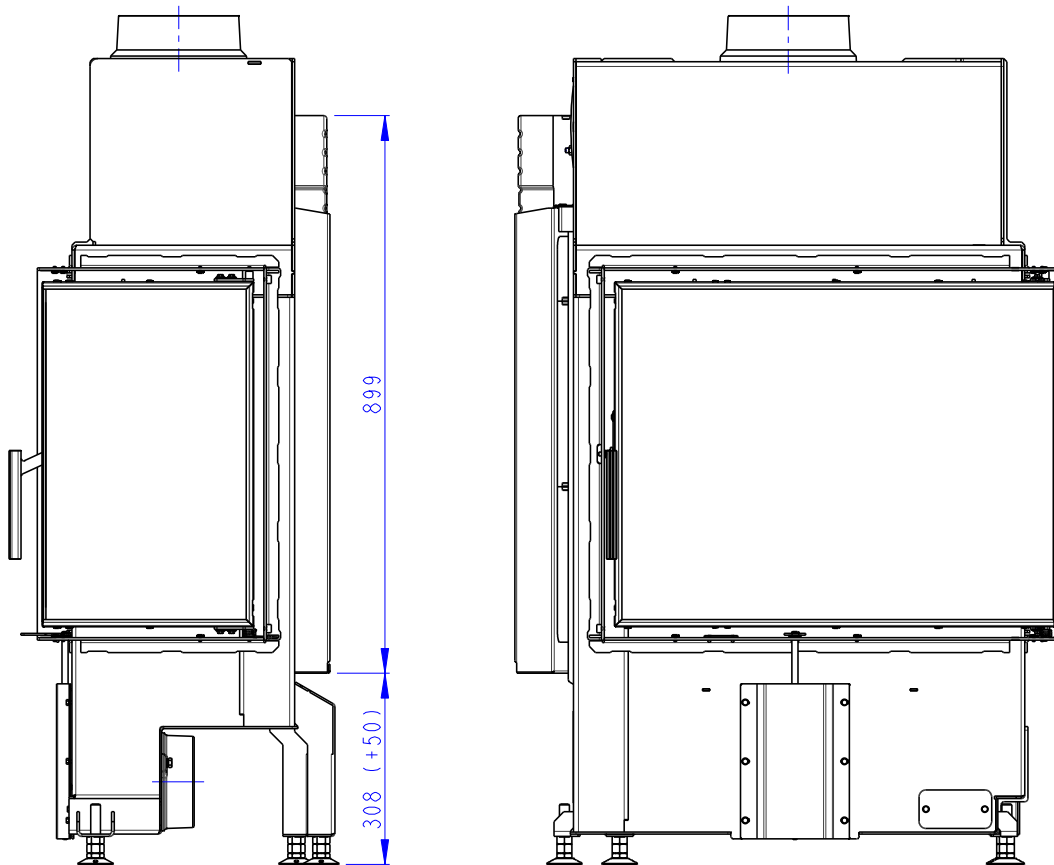
203kg
275kg
265kg



Rozměry v mm
Maße in mm
Dimensions in mm

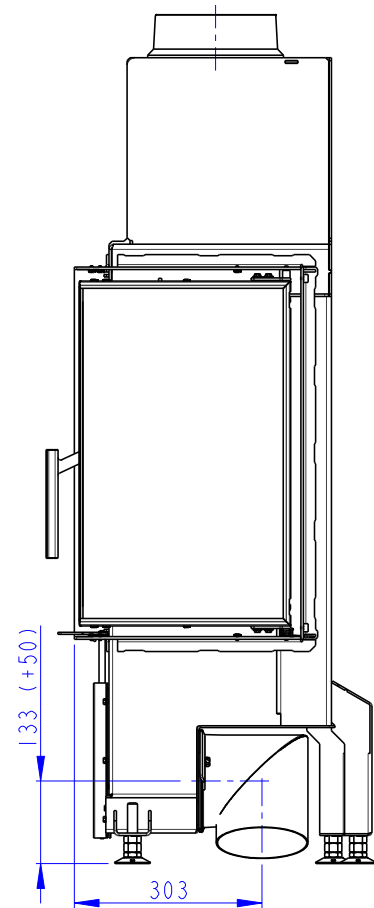
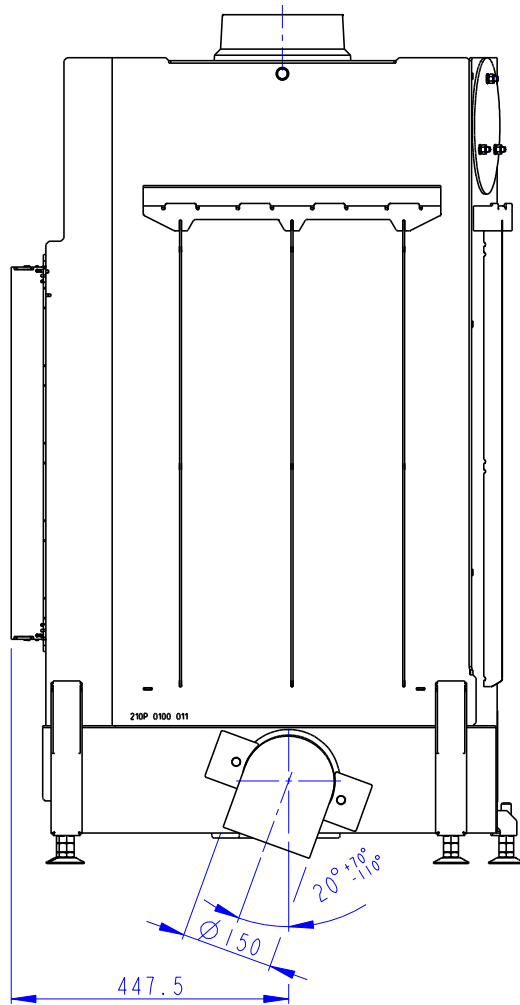
IMPRESSION R 2g S 71.60.34.21 + AKKUM KV 06
+ AKKUM KV 06 + IR2LG TOP01
+ AKKUM KV 06 + IR2LG TOP02

271kg
343kg
333kg



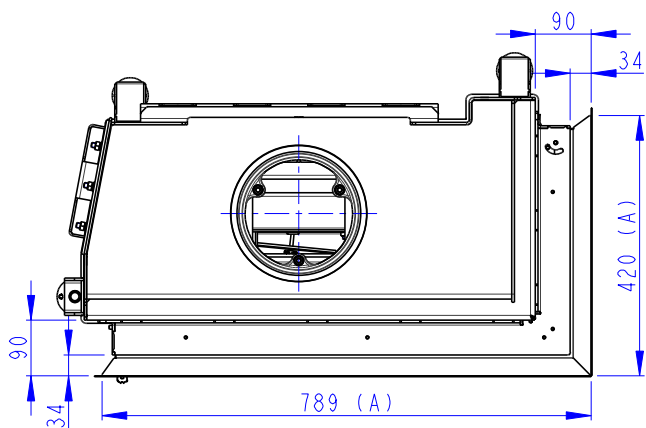
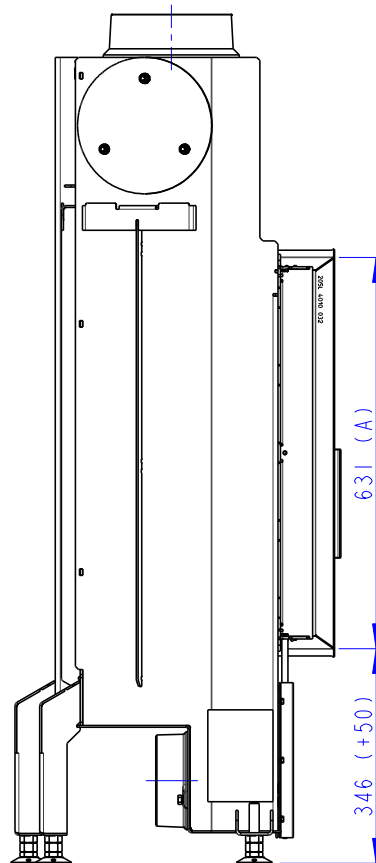
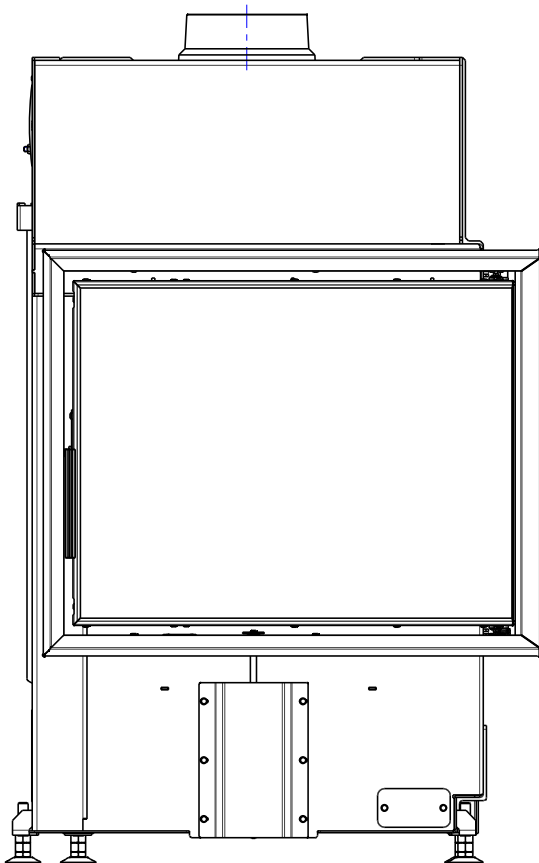
Rozmery v mm
Maße in mm
Dimensions in mm

IMPRESSION R 2g S 71.60.34.21 + 12 AIRBOX 01 135kg
+ 12 AIRBOX 01 + IR2LG TOP01 207kg
+ 12 AIRBOX 01 + IR2LG TOP02 197kg



Rozměry v mm
Maße in mm
Dimensions in mm

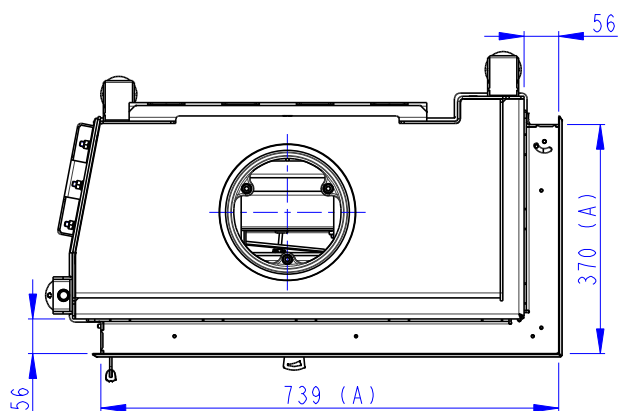
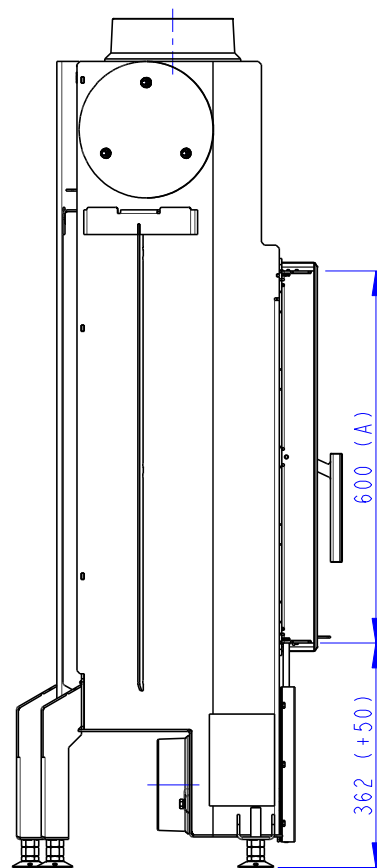
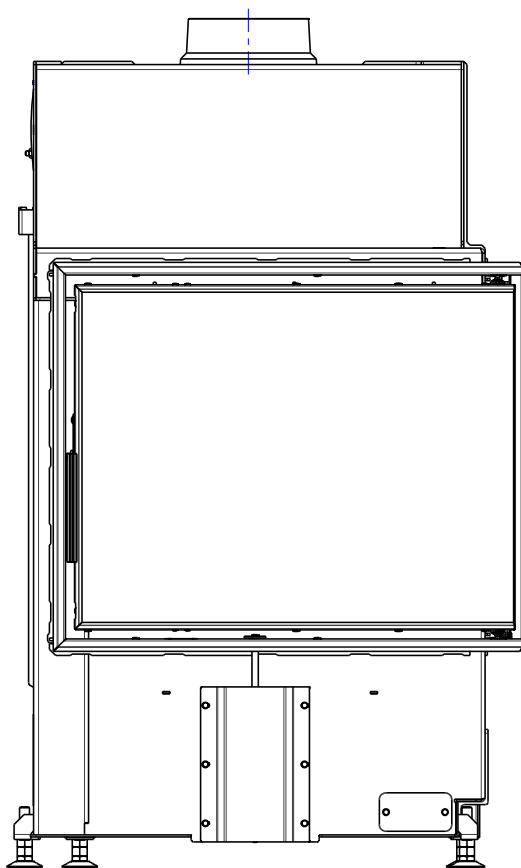
IMPRESSION R 2g S 71.60.34.21 + IR2SG RAM04 136.5kg
+ IR2SG RAM04 + IR2LG TOP01 208.5kg
+ IR2SG RAM04 + IR2LG TOP02 198.5kg



(A) Zastavbovy rozmer / Baumaße / In-built dimension

Rozměry v mm
Maße in mm
Dimensions in mm

IMPRESSION R 2g S 71.60.34.21 + IR2SG RAM06 135.3kg
+ IR2SG RAM06 + IR2LG TOP01 207.3kg
+ IR2SG RAM06 + IR2LG TOP02 197.3kg



(A) Zastavbovy rozmer / Baumaße / In-built dimension

